

DOWNLIGHTS

for Yacht Interiors



ROGER



- ROUND FRAME
- WIDE BEAM LIGHT DISTRIBUTION
- VERY LOW INSTALLATION DEPTH REQUIRED
- SPRING MOUNTING

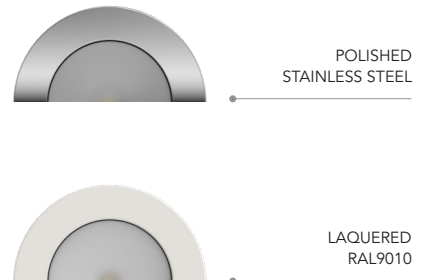
MATERIALS

- STAINLESS STEEL FRAME
- ALUMINUM HEATSINK AND REFLECTOR
- SANDED GLASS

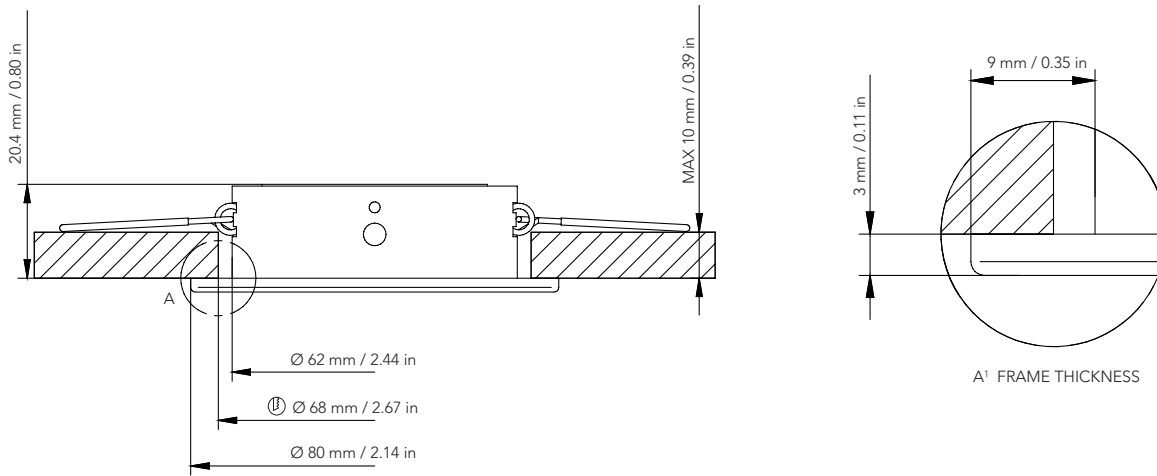
APPLICATIONS

- GENERAL LIGHTING
- WARDROBE LIGHTING

BODY FINISHES



ITEM	POWER SUPPLY	COLOR TEMP.	BODY FINISHES	
CODE	CLL Vdc 24 DRIVER INCLUDED	3000K	POLISHED S.STEEL	LAQUERED RAL9010
20ROGER01	D	3	SS - LA	

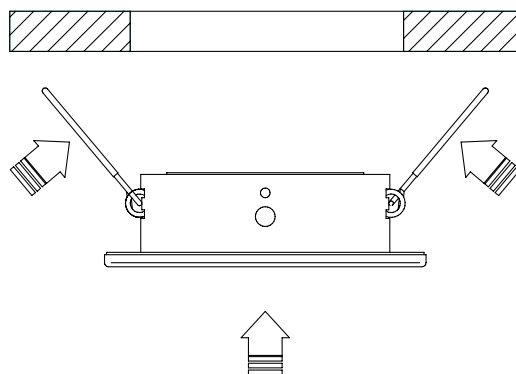


PHOTOMETRIC DATA

PMMA DIFFUSER
 BEAM: 93°
 LUMEN: 350
 WATT: 3.5
 LM/W: 100
 CCT: 3000k
 CRI: ≥80

LUX	H/M	Ø/M
100	1	2.11
25	2	4.23
11	3	6.34

INSTALLATION STEPS



INSERT THE PRODUCT
 FROM THE FRONT
 AFTER BENDING THE SPRINGS