



Spots à encastrer en alu, avec source LED reculée, réalisés en deux tailles différents pour pouvoir utiliser toutes sources lumineuses.

**Caracteristiques:**

- Installation sur faux plafond par des ressorts
- Installation sur maçonnerie par une coffrage.
- Sources: GU10 Module COB LED, module Power LED
- IP 44 avec le module COB LED 0108/IP
- Faisceaux disponibles: COB LED 24°, 40°, 60° Power LED : 10°, 25°, 40°
- Finitions disponibles: blanc, noir, nickel satiné, chromé, doré satiné
- Variateurs DALI, Push, 1-10V, et CASAMBI
- Unités d'urgence
- CRI>90 sur demande dans les versions COB LED

Focos empotrados con LED escondido en dos tamaños diferentes para permitir el uso de varias fuentes de luz.

**Características:**

- Instalación empotrada en falso techo con muelles.
- Instalación empotrada con caja por albañilería y por hormigón
- Fuentes: GU10, COB Led Module y Power LED Module.
- IP 44 con el módulo LED COB 0108 / IP.
- Ópticas disponible: COB Led 24°, 40° y 60° - Power Led 10°, 25° y 40°.
- Temperaturas de color: 2700, 3000, 4000 y 5000K.
- Acabados disponibles: blanco, gris, oro satinado, cromo y níquel mate.
- Regulación Dimable: DALI, Push, 1-10V y CASAMBI.
- Grupo de emergencia.
- CRI> 90 a solicitud en versiones COB Led

Einbaustrahler mit nachrüstbarer LED in zwei verschiedenen Abmessungen ermöglichen den Einsatz unterschiedlicher Licht Quellen.

**Eigenschaften:**

- Einbau an der Zwischendecke durch Federn.
- Einbau mit Einbaukästen für die Wand.
- Licht Quellen: GU10, Module Led COB und Module Power Led.
- IP 44 mit der Modul-LED COB 0108 / IP.
- Verfügbare Abstrahlwinkel: LED COB 24°, 40° und 60° - LED Power 10°, 25° und 40°.
- Farbtemperaturen: 2700, 3000, 4000 und 5000K.
- Verfügbare Ausführungen: Weiß, Grau, Satin Gold, Chrom und Nickel Matt.
- Dimmer: DALI, Push, 1-10V und CASAMBI.
- Notlicht Batterie.
- CRI> 90 auf Anfrage in der LED-COB-Version.

Встроенные споты с углубленным светодиодом в двух размерах и с разными источниками света.

**Характеристики:**

- монтаж в подвесной потолок с помощью пружин
- монтаж в кирпичную кладку с монтажным корпусом
- источники света GU10, светодиод на плате, мощный светодиод
- IP44 в модели со светодиодом на плате 0108/IP
- пучки света для светодиода на плате 24, 40, 60 градусов; для мощного светодиода 10, 25 и 40 градусов
- цветовая температура 2700, 3000, 4000 и 5000K
- цвета: белый, серый, матовое золото, хром и матовый никель
- диммирование: DALI, кнопка push, 1-10в и Casa Ambi
- аварийное питание
- по запросу CRI>90 с вариантом светодиод на плате

## Spots **EDY**

design: **U.T. EGOLUCE**

Faretti da incasso con LED arretrato realizzati in due dimensioni per consentire l'utilizzo di varie sorgenti luminose.

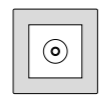
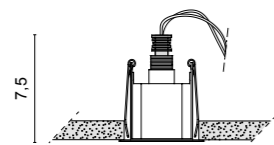
**Caratteristiche:**

- Installazione ad incasso su controsoffitto tramite molle.
- Installazione ad incasso con cassaforma per muratura.
- Sorgenti: GU10, Modulo LED COB e Modulo Power LED.
- IP 44 utilizzando Modulo LED COB 0108/IP.
- Ottiche disponibili: Led COB 24°,40° e 60° Power LED 10°,25° e 40°.
- Temperature di colore: 2700, 3000, 4000 e 5000K.
- Finiture disponibili: Bianco, Grigio, Oro Satinato, Cromo e Nickel Matt.
- Dimmerazione: DALI, Push, 1-10V e CASAMBI.
- Gruppo d'emergenza.
- CRI>90 a richiesta nelle versioni LED COB

Recessed spots with retrofit LED made in two dimensions to allow the use of different lighting sources.

**Features:**

- Recessed installation on the false ceiling through springs.
- Recessed installation with recessed boxes for wall.
- Sources: GU10, Modulo LED COB and Modulo Power LED.
- IP 44 using the Modulo LED COB 0108/IP.
- Beam angles available: LED COB 24°,40° and 60° Power LED 10°, 25° and 40°.
- Colours temperatures: 2700, 3000, 4000 and 5000K.
- Finitures available: White, Grey, Satin gold, Chrome and Nickel Matt.
- Dimmer: DALI, Push, 1-10V and CASAMBI.
- Emergency group.
- CRI>90 upon request in the LED COB version.



6,3 x 6,3

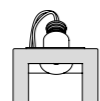
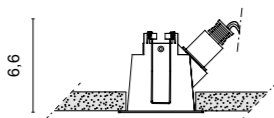
5,2 x 5,2 cm.

**6298** Edy mini

- .01 Bianco - White
- .31 Cromato - Chromed
- .32 Nickel satinato - Nickel mat

Color temperature	Light sources	lm
<b>/W</b> 4000K	LED max 2W 500mA	209lm
<b>/WW</b> 3000K	LED max 2W 500mA	199lm
<b>/XW</b> 2700K	LED max 2W 500mA	189lm

F ◊ ⊗ R 0,10 Kg



6,3 x 6,3

5,2 x 5,2 cm.

**6299** Edy 45° mini

- .01 Bianco - White
- .31 Cromato - Chromed
- .32 Nickel satinato - Nickel mat

Color temperature	Light sources	lm
<b>/W</b> 4000K	LED max 2W 500mA	209lm
<b>/WW</b> 3000K	LED max 2W 500mA	199lm
<b>/XW</b> 2700K	LED max 2W 500mA	189lm

F ◊ ⊗ R 0,10 Kg

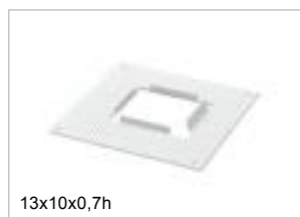


**Accessori - Accessories**



10x10,5x8,5h

**0218**  
Cassaforma per calcestruzzo  
Wallbox for concrete



13x10x0,7h

**0219**  
Plaster kit traforato  
Plaster kit perforated

Cod.	Drivers ON/OFF		
	0125 350mA	0127 500mA	0128 350mA
<b>6298</b>	1-6	1-6	1-10
<b>6299</b>	1-6	1-6	1-10

DIMMABLE drivers			
0141/DIM PUSH - 1...10V	0141/DALI DIM DALI	0145 DIM	0145/DALI DIM DALI
1-11 (500mA)	1-12 (350mA)	1-11 (500mA)	1-12 (350mA)
1-11 (500mA)	1-12 (350mA)	1-21	1-21

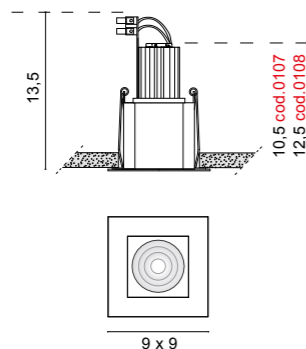
**DIMMABLE** drivers  
wireless **Casambi**  
**0145/CASA**

1-21	1-21
1-21	1-21

Solo collegamento in serie - Only serial connection



Art. 6699.31 Edy 45° mini



7,2 x 8,2 cm.

**6305** Edy LED

- .01 Bianco - White
- .03 Grigio - Grey
- .25 Dorato satinato - Golded satin
- .31 Cromato - Chromed
- .32 Nickel satinato - Nickel mat

F II III 0,40 Kg

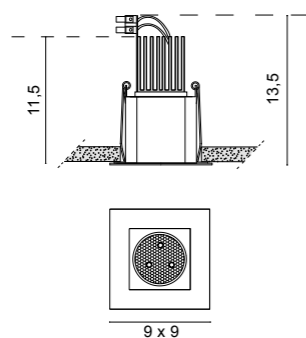
**6305 + COB LED**

Color temperature	Optics	Light sources	lm
0107/CW 5000K	/24 /40 /60	COB LED 6,1W 17,3V 350mA	1066lm
0107/W 4000K	/24 /40 /60	COB LED 6,1W 17,3V 350mA	975lm
0107/WW 3000K	/24 /40 /60	COB LED 6,1W 17,3V 350mA	939lm
0107/XW 2700K	/24 /40 /60	COB LED 6,1W 17,3V 350mA	896lm
0108/CW 5000K	/24 /40 /60	COB LED 8,9W 17,8V 500mA	1480lm
0108/W 4000K	/24 /40 /60	COB LED 8,9W 17,8V 500mA	1353lm
0108/WW 3000K	/24 /40 /60	COB LED 8,9W 17,8V 500mA	1303lm
0108/XW 2700K	/24 /40 /60	COB LED 8,9W 17,8V 500mA	1244lm

0108/W/IP 4000K	/24 /38 /58	COB LED IP44 8,9W 17,8V 500mA	1353lm
0108/WW/IP 3000K	/24 /38 /58	COB LED IP44 8,9W 17,8V 500mA	1303lm

**6305 + POWER LED**

Color temperature	Optics	Light sources	lm
0121 4000K	25°	POWER LED max 3x3W 700mA	846lm
0123 3000K	25°	POWER LED max 3x3W 700mA	804lm



7,2 x 8,2 cm.



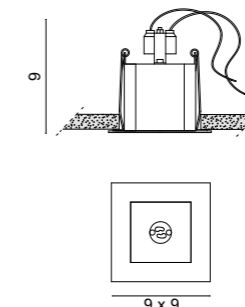
Accessori - Accessories



**0199**  
Kit vetro diffusore sabbato extrachiaro  
Kit diffuser glass

Cod. LED	Drivers ON/OFF				DIMMABLE drivers				DIMMABLE drivers wireless Casambi		LED emergency unit
	0125 350mA	0147/COB 500mA	0149/COB 500mA	0126 700mA	0141/DIM PUSH - 1...10V	0141/DALI DIM DALI	0145/DALI DIM DALI	0145 DIM	0718/CASA	0145/CASA	0115/EM Inverter + Battery + LED indicator
0107 - COB LED	1	NO	NO	NO	1-2	1-2	1-3	1-3	1-2	1-3	1
0108 - COB LED	1	1-2	1	NO	1-2	1-2	1-3	1-3	1-2	1-3	1
0121 - POWER LED	1-2	1-4	NO	1-2	1-2	1-2	1-6	1-6	2-4	1-6	1
0123 - POWER LED	1-2	1-4	NO	1-2	1-2	1-2	1-6	1-6	2-4	1-6	1

Solo collegamento in serie - Only serial connection



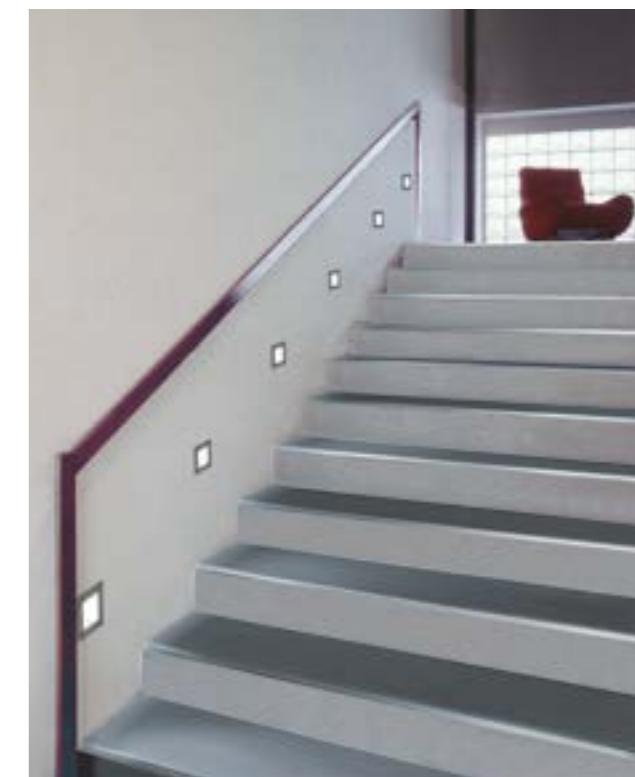
7,2 x 8,2 cm.

**6302** Edy 230V

- .01 Bianco - White
- .03 Grigio - Grey
- .25 Dorato satinato - Golded satin
- .31 Cromato - Chromed
- .32 Nickel satinato - Nickel mat

Light sources  
7W GU10 LED DIM (cod. 0104/16)  
7W GU10 LED (cod. 0094/16)  
max 50W GU10 (cod. 0072)

0,30 Kg



Accessori - Accessories



**0199**  
Kit vetro diffusore sabbato extrachiaro  
Kit diffuser glass



**0200**  
Cassaforma per calcestruzzo  
Wallbox for concrete



**0201**  
Plaster kit traforato  
Plaster kit preforated