



Spots à encastrer en alu, avec source LED reculée, réalisés en plusieurs tailles différents pour pouvoir utiliser toutes sources lumineuses.

Caracteristiques:

- Installation sur faux plafond par des ressorts
- Versions rondes ou carrées
- Fixes ou réglables
- Sources: GU10 Module COB LED, module Power LED.
- IP 44 avec le module COB LED 0108/IP
- Faisceaux disponibles: COB LED: 24°, 40°, 60° Power LED: 10°, 25°, 40°
- Plusieurs tonalités de lumière (2700K, 3000K, 4000K et 5000K)
- Finitions disponibles: blanc, noir, gris, nickel satiné, chromé, doré, doré satiné
- Variateurs DALI, Push, 1-10V, et CASAMBI
- Unités d'urgence
- CRI>90 sur demande dans les versions COB LED

Focos empotrados fabricados en diferentes tamaños para permitir el uso de diversas fuentes de luz.

Características:

- Instalación empotrada en falso techo con muelles.
- Versión redonda y cuadrada.
- Fijo o ajustable.
- Fuentes: GU5,3 -GU10- Módulo LED COB y módulos LED de potencia.
- IP 44 con el módulo LED COB 0108 / IP.
- Óptica disponible: COB Led 24°, 40° y 60° - Power Led 10°, 25° y 40°.
- Temperaturas de color: 2700, 3000, 4000 y 5000K.
- Acabados disponibles: blanco, negro, gris, dorado, dorado satinado, níquel mate y cromo.
- Regulación Dimable: DALI, Push, 1-10V y CASAMBI.
- Grupo de emergencia.
- CRI> 90 a solicitud en versiones COB Led.

Einbaustrahler (dünnere Flansch) mit LED in verschiedenen Abmessungen, um die Verwendung unterschiedlicher Licht Quellen zu ermöglichen.

Eigenschaften:

- Einbau an der Zwischendecke durch Federn
- Rund oder eckig.
- Fest oder einstellbar
- Licht Quellen: GU5,3 - GU10 - Modul LED COB und Modul Power LED.
- IP 44 mit der Modul-LED COB 0108 / IP.
- Verfügbare Abstrahlwinkel: LED COB 24°, 40° und 60° - LED Power 10°, 25° und 40°.
- Farbtemperaturen: 2700, 3000, 4000 und 5000K ..
- Verfügbare Ausführungen: Weiß, Schwarz, Grau, Gold, Satin Gold, Nickel Matt und Chrom.
- Dimmer: DALI, Push, 1-10 V und CASAMBI.
- Notlicht Batterie.
- CRI> 90 auf Anfrage in der LED-COB-Version.

Встроенные споты в разных размерах и с разными источниками света

Характеристики:

- монтаж в подвесной потолок с помощью пружин
- круглые или квадратные
- фиксированные или ориентируемые
- источники света: GU 5,3, GU10, светодиодный модуль на плате, мощный светодиод
- IP44 в модели со светодиодом на плате 0108/IP
- пучки света для светодиода на плате 24, 40, 60 градусов; для мощного светодиода 10, 25 и 40 градусов
- цветовая температура 2700, 3000, 4000 и 5000K
- цвета: белый, черный, серый, золото, матовое золото, хром и матовый никель
- диммирование: DALI, кнопка push, 1-10в и Casa Ambi CASAMBI
- аварийное питание
- по запросу CRI>90 для варианта светодиод на плате

Spots **GEKO**

design: **U.T. EGOLUCE**

Faretti da incasso realizzati in diverse dimensioni per consentire l'utilizzo di varie sorgenti luminose.

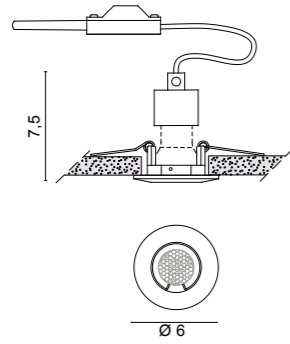
Caratteristiche:

- Installazione ad incasso su controsoffitto tramite molle.
- Versione Tonda e Quadrata.
- Fissi o orientabili.
- Sorgenti: GU5,3 GU10 Modulo LED COB e Moduli Power LED.
- IP 44 utilizzando Modulo LED COB 0108/IP.
- Ottiche disponibili: LED COB 24°,40° e 60° Power LED 10°, 25° e 40°.
- Temperature di colore: 2700, 3000, 4000 e 5000K.
- Finiture disponibili: Bianco, Nero, Grigio,Oro, Oro Satinato, Nickel Matt e Cromo.
- Dimmerazione: DALI, Push, 1-10V e CASAMBI.
- Gruppo d'emergenza .
- CRI>90 a richiesta nelle versioni LED COB.

Recessed spots (thin flange) with backward LED made in different dimensions to allow the use of different lighting sources.

Features:

- Recessed installation on the false ceiling through springs
- Round or square.
- Fixed or adjustable
- Sources: GU5,3 GU10 Module Led COB and Modules Power LED.
- IP 44 using the Module LED COB 0108/IP.
- Beam angles available: LED COB 24°, 40° and 60° Power LED 10°, 25° and 40°.
- Colours temperatures: 2700, 3000, 4000 and 5000K.
- Finitures available: White, Black, Grey, Gold, Satin Gold, Nickel Matt and Chrome.
- Dimmer: DALI, Push, 1-10V e CASAMBI.
- Emergency group.
- CRI>90 upon request in the LED COB version.



6.5 cm.

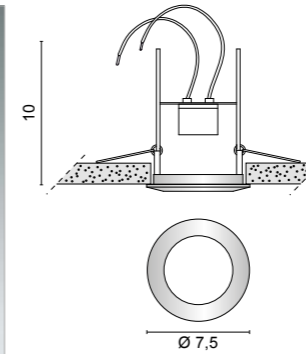
6680 Geko mini

- .01 Bianco - White
- .02 Nero - Black
- .21 Dorato lucido - Shiny golded
- .31 Cromato - Chromed
- .32 Nickel satinato - Nickel mat

Light sources
3W GU10 LED (cod. 0093/19)



0,11 Kg



6.6 cm.

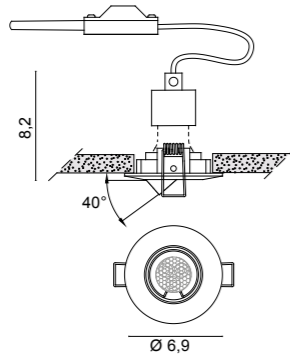
6290 Geko 230

- .01 Bianco - White
- .02 Nero - Black
- .21 Dorato lucido - Shiny golded
- .25 Dorato satinato - Golded satin
- .31 Cromato - Chromed
- .32 Nickel satinato - Nickel mat

Light sources
7W GU10 LED DIM (cod. 0104/16)
7W GU10 LED (cod. 0094/16)
max 50W GU10 (cod. 0072)



0,11 Kg



6 cm.

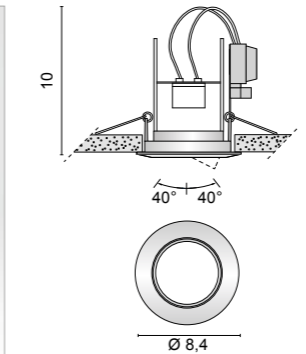
6681 Geko mini Adjustable

- .01 Bianco - White
- .02 Nero - Black
- .21 Dorato lucido - Shiny golded
- .31 Cromato - Chromed
- .32 Nickel satinato - Nickel mat

Light sources
3W GU10 LED (cod. 0093/19)



0,11 Kg



7.5 cm.

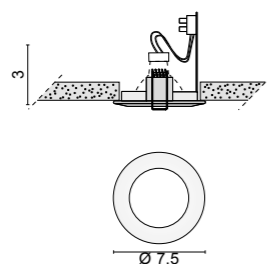
6455 Geko Adjustable 230

- .01 Bianco - White
- .02 Nero - Black
- .03 Grigio - Grey
- .21 Dorato lucido - Shiny golded
- .25 Dorato satinato - Golded satin
- .31 Cromato - Chromed
- .32 Nickel satinato - Nickel mat

Light sources
7W GU10 LED DIM (cod. 0104/16)
7W GU10 LED (cod. 0094/16)
max 50W GU10 (cod. 0072)



0,04 Kg

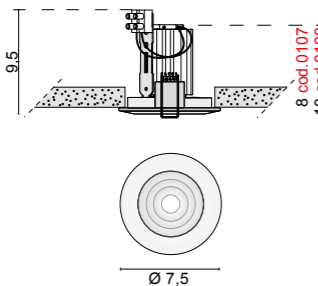


- 6460 Geko**
- .01 Bianco - White
 - .02 Nero - Black
 - .21 Dorato lucido - Shiny golded
 - .25 Dorato satinato - Golded satin
 - .31 Cromato - Chromed
 - .32 Nickel satinato - Nickel mat

Light sources
12V 50W GU5.3

0,08 Kg

6,6 cm.



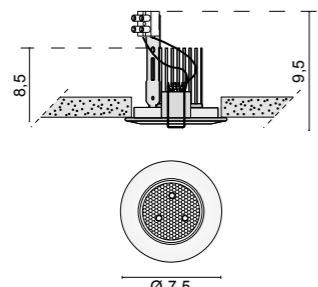
6460 + COB LED

Color temperature	Optics	Light sources	lm
0107/CW 5000K	I24 I40 I60	COB LED 6,1W 17,3V 350mA	1066lm
0107/W 4000K	I24 I40 I60	COB LED 6,1W 17,3V 350mA	975lm
0107/WW 3000K	I24 I40 I60	COB LED 6,1W 17,3V 350mA	939lm
0107/XW 2700K	I24 I40 I60	COB LED 6,1W 17,3V 350mA	896lm

0108/CW 5000K	I24 I40 I60	COB LED 8,9W 17,8V 500mA	1480lm
0108/W 4000K	I24 I40 I60	COB LED 8,9W 17,8V 500mA	1353lm
0108/WW 3000K	I24 I40 I60	COB LED 8,9W 17,8V 500mA	1303lm
0108/XW 2700K	I24 I40 I60	COB LED 8,9W 17,8V 500mA	1244lm

0108/W/IP 4000K	I24 I38 I58	COB LED IP44 8,9W 17,8V 500mA	1353lm
0108/WW/IP 3000K	I24 I38 I58	COB LED IP44 8,9W 17,8V 500mA	1303lm

6,6 cm.



6460 + POWER LED

Color temperature	Optics	Light sources	lm
0121 4000K	25°	POWER LED max 3x3W 700mA	846lm
0123 3000K	25°	POWER LED max 3x3W 700mA	804lm

6,6 cm.

Accessori - Accessories



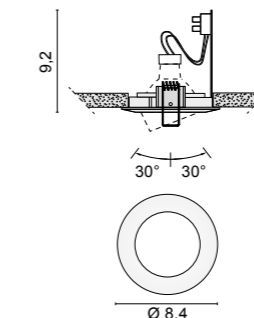
0183

Dischi reggi lampadina in metacrilato solo per il fissaggio del modulo LED. Methacrylate disks only for fixing LED module.

.31/TR	Trasparente - Clear	.31/ST	Satinato - Satin
--------	---------------------	--------	------------------

Cod. LED	Drivers ON/OFF				DIMMABLE drivers				DIMMABLE drivers wireless Casambi		LED emergency unit
	0125 350mA	0147/COB 500mA	0149/COB 500mA	0126 700mA	0141/DIM PUSH - 1...10V	0141/DALI DIM DALI	0145/DALI DIM DALI	0145 DIM	0718/CASA	0145/CASA	0115/EM Inverter + Battery + LED indicator
0107 - COB LED	1	NO	NO	NO	1-2	1-2	1-3	1-3	1-2	1-3	1
0108 - COB LED	1	1-2	1	NO	1-2	1-2	1-3	1-3	1-2	1-3	1
0121 - POWER LED	1-2	1-4	NO	1-2	1-2	1-2	1-6	1-6	2-4	1-6	1
0123 - POWER LED	1-2	1-4	NO	1-2	1-2	1-2	1-6	1-6	2-4	1-6	1

Solo collegamento in serie - Only serial connection

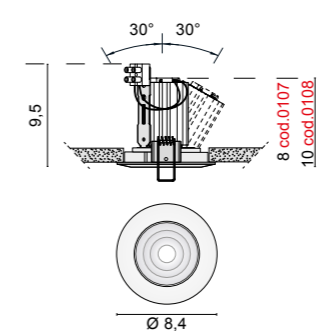


- 6447 Geko Adjustable**
- .01 Bianco - White
 - .02 Nero - Black
 - .03 Grigio - Grey
 - .21 Dorato lucido - Shiny golded
 - .25 Dorato satinato - Golded satin
 - .31 Cromato - Chromed
 - .32 Nickel satinato - Nickel mat

Light sources
12V 50W GU5.3

0,13 Kg

7,5 cm.



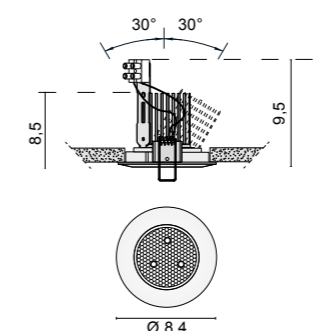
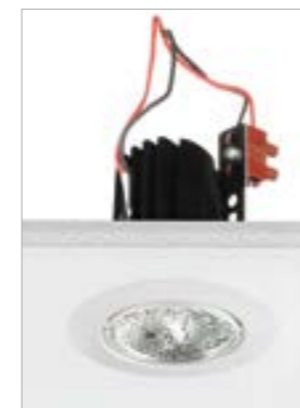
6447 + COB LED

Color temperature	Optics	Light sources	lm
0107/CW 5000K	I24 I40 I60	COB LED 6,1W 17,3V 350mA	1066lm
0107/W 4000K	I24 I40 I60	COB LED 6,1W 17,3V 350mA	975lm
0107/WW 3000K	I24 I40 I60	COB LED 6,1W 17,3V 350mA	939lm
0107/XW 2700K	I24 I40 I60	COB LED 6,1W 17,3V 350mA	896lm

0108/CW 5000K	I24 I40 I60	COB LED 8,9W 17,8V 500mA	1480lm
0108/W 4000K	I24 I40 I60	COB LED 8,9W 17,8V 500mA	1353lm
0108/WW 3000K	I24 I40 I60	COB LED 8,9W 17,8V 500mA	1303lm
0108/XW 2700K	I24 I40 I60	COB LED 8,9W 17,8V 500mA	1244lm

0108/W/IP 4000K	I24 I38 I58	COB LED IP44 8,9W 17,8V 500mA	1353lm
0108/WW/IP 3000K	I24 I38 I58	COB LED IP44 8,9W 17,8V 500mA	1303lm

7,5 cm.



6447 + POWER LED

Color temperature	Optics	Light sources	lm
0121 4000K	25°	POWER LED max 3x3W 700mA	846lm
0123 3000K	25°	POWER LED max 3x3W 700mA	804lm

7,5 cm.

Accessori - Accessories



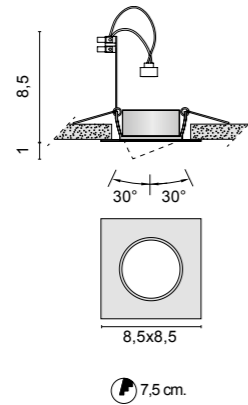
0183

Dischi reggi lampadina in metacrilato solo per il fissaggio del modulo LED. Methacrylate disks only for fixing LED module.

.31/TR	Trasparente - Clear	.31/ST	Satinato - Satin
--------	---------------------	--------	------------------

Cod. LED	Drivers ON/OFF				DIMMABLE drivers				DIMMABLE drivers wireless Casambi		LED emergency unit
	0125 350mA	0147/COB 500mA	0149/COB 500mA	0126 700mA	0141/DIM PUSH - 1...10V	0141/DALI DIM DALI	0145/DALI DIM DALI	0145 DIM	0718/CASA	0145/CASA	0115/EM Inverter + Battery + LED indicator
0107 - COB LED	1	NO	NO	NO	1-2	1-2	1-3	1-3	1-2	1-3	1
0108 - COB LED	1	1-2	1	NO	1-2	1-2	1-3	1-3	1-2	1-3	1
0121 - POWER LED	1-2	1-4	NO	1-2	1-2	1-2	1-6	1-6	2-4	1-6	1
0123 - POWER LED	1-2	1-4	NO	1-2	1-2	1-2	1-6	1-6	2-4	1-6	1

Solo collegamento in serie - Only serial connection



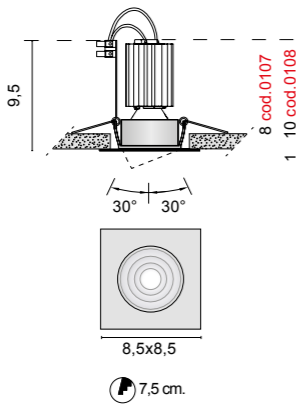
6048 Geko quadro

- .01 Bianco - White
- .02 Nero - Black
- .21 Dorato lucido - Shiny golded
- .25 Dorato satinato - Golded satin
- .31 Cromato - Chromed
- .32 Nickel satinato - Nickel mat

Light sources
12V 50W GU5.3

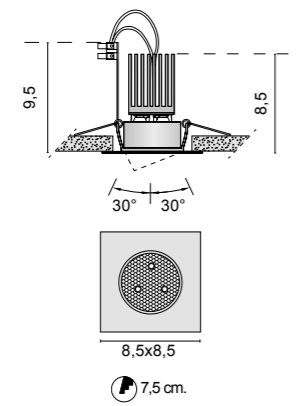


0,10 Kg



6048 + COB LED

	Color temperature	Optics	Light sources	lm
0107/CW	5000K	/24 /40 /60	COB LED 6,1W 17,3V 350mA	1066lm
0107/W	4000K	/24 /40 /60	COB LED 6,1W 17,3V 350mA	975lm
0107/WW	3000K	/24 /40 /60	COB LED 6,1W 17,3V 350mA	939lm
0107/XW	2700K	/24 /40 /60	COB LED 6,1W 17,3V 350mA	896lm
0108/CW	5000K	/24 /40 /60	COB LED 8,9W 17,8V 500mA	1480lm
0108/W	4000K	/24 /40 /60	COB LED 8,9W 17,8V 500mA	1353lm
0108/WW	3000K	/24 /40 /60	COB LED 8,9W 17,8V 500mA	1303lm
0108/XW	2700K	/24 /40 /60	COB LED 8,9W 17,8V 500mA	1244lm
0108/W/IP	4000K	/24 /38 /58	COB LED IP44 8,9W 17,8V 500mA	1353lm
0108/WW/IP	3000K	/24 /38 /58	COB LED IP44 8,9W 17,8V 500mA	1303lm



6048 + POWER LED

	Color temperature	Optics	Light sources	lm
0121	4000K	25°	POWER LED max 3x3W 700mA	846lm
0123	3000K	25°	POWER LED max 3x3W 700mA	804lm

Accessori - Accessories



0183

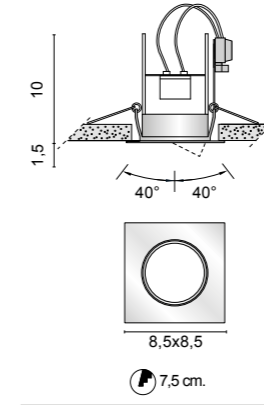
Dischi reggi lampadina in metacrilato solo per il fissaggio del modulo LED.
Methacrylate disks only for fixing LED module.

.31/TR Trasparente - Clear

.31/ST Satinato - Satin

Cod. LED	Drivers ON/OFF				DIMMABLE drivers				DIMMABLE drivers wireless Casambi		LED emergency unit
	0125 350mA	0147/COB 500mA	0149/COB 500mA	0126 700mA	0141/DIM PUSH - 1...10V	0141/DALI DIM DALI	0145/DALI DIM DALI	0145 DIM	0718/CASA	0145/CASA	0115/EM Inverter + Battery + LED indicator
0107 - COB LED	1	NO	NO	NO	1-2	1-2	1-3	1-3	1-2	1-3	1
0108 - COB LED	1	1-2	1	NO	1-2	1-2	1-3	1-3	1-2	1-3	1
0121 - POWER LED	1-2	1-4	NO	1-2	1-2	1-2	1-6	1-6	2-4	1-6	1
0123 - POWER LED	1-2	1-4	NO	1-2	1-2	1-2	1-6	1-6	2-4	1-6	1

Solo collegamento in serie - Only serial connection



6056 Geko quadro 230V

- .01 Bianco - White
- .02 Nero - Black
- .21 Dorato lucido - Shiny golded
- .25 Dorato satinato - Golded satin
- .31 Cromato - Chromed
- .32 Nickel satinato - Nickel mat

Light sources

7W GU10 LED DIM (cod. 0104/16)
7W GU10 LED (cod. 0094/16)
max 50W GU10 (cod. 0072)



0,15 Kg

