

SPOOK design: U.T. EGOLUCE

Linea luminosa LED calpestabile IP67 in metacrilato coestruso trasparente ed opalino. Casseforme modulari in alluminio anodizzato (anodizzazione rinforzata per esterni). Installazione a pavimento o parete con possibilità di comporre linee luminose continue. Versione ETL disponibile a richiesta

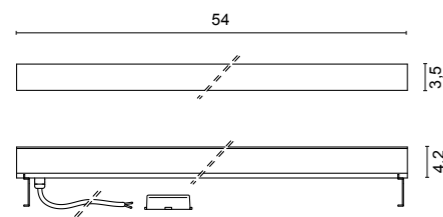
Begehbarer LED Einbaulinie IP67, Struktur aus transparentem und opalisiertem fließgepresstem Methakrylat. Modularen Einbaugehäuse aus Aluminium (verstärktem Eloxierung für Außenbereich) für wand-oder Bodeninsetzung. Montage als endlose Linearsystem möglich.

LED linear walk-over IP67 in coextruded transparent and opal methacrylate. Modular anodized aluminium blind boxes (reinforced anodizing for outdoor). To be installed into floor or wall and possibility to compose endless light lines. ETL version available upon request

Linea luminosa LED pisabile IP67 en metacrilato coextruso transparente y opal. Cajetin modular en aluminio anodizado (anodización reforzada para exterior). Instalación a suelo o pared y posibilidad de realizar líneas luminosas continuas.

Ligne lumineuse LED piétonnable IP67 en méthacrylate coextru transparent et opale. Boitiers modulaires en aluminium anodisé (anodisation renforcée pour l'extérieur). Installation au plancher ou cloison avec la possibilité d'obtenir des lignes lumineuses continues. Version ETL disponible sur demande

Светодиодны й встраиваемый в грунт профиль для пешеходных зон, степень защиты IP67, алюминий, прозрачный или матовый диффузор. Монтажный корпус из алюминия с усиленным анодированием для наружного использования. Для встраивания в пол или стену, можно составить бесконечную линию.

**6417 Spook**

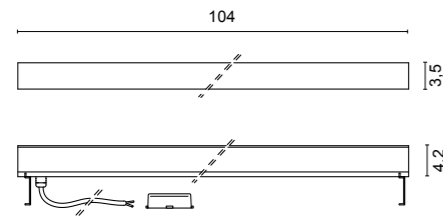
.01 Bianco - White

Color temperature Light sources lm

/W 4000K LED 24V 4,5W 600lm**/WW** 3000K LED 24V 4,5W 600lm

0,8 Kg

Versione ETL disponibile a richiesta.
ETL version available upon request.

**6418 Spook**

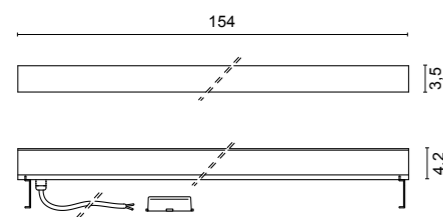
.01 Bianco - White

Color temperature Light sources lm

/W 4000K LED 24V 8,9W 1200lm**/WW** 3000K LED 24V 8,9W 1200lm

1,6 Kg

Versione ETL disponibile a richiesta.
ETL version available upon request.

**6419 Spook**

.01 Bianco - White

Color temperature Light sources lm

/W 4000K LED 24V 13,4W 1800lm**/WW** 3000K LED 24V 13,4W 1800lm

2,3 Kg

Versione ETL disponibile a richiesta.
ETL version available upon request.

cm.	watt	3000K (WW)	lm	4000K (W)	lm
14	0,9W	A6417.01/14/WW	120	A6417.01/14/W	120
24	1,8W	A6417.01/24/WW	240	A6417.01/24/W	240
34	2,7W	A6417.01/34/WW	360	A6417.01/34/W	360
44	3,6W	A6417.01/44/WW	480	A6417.01/44/W	480
54	4,5W	6417.01/WW *	600	6417.01/W *	600
64	5,3W	A6417.01/64/WW	720	A6417.01/64/W	720
74	6,2W	A6417.01/74/WW	840	A6417.01/74/W	840
84	7,1W	A6417.01/84/WW	960	A6417.01/84/W	960
94	8W	A6417.01/94/WW	1080	A6417.01/94/W	1080
104	8,9W	6418.01/WW *	1200	6418.01/W *	1200
114	9,8W	A6417.01/114/WW	1320	A6417.01/114/W	1320
124	10,7W	A6417.01/124/WW	1440	A6417.01/124/W	1440
134	11,6W	A6417.01/134/WW	1560	A6417.01/134/W	1560
144	12,5W	A6417.01/144/WW	1680	A6417.01/144/W	1680
154	13,4W	6419.01/WW *	1800	6419.01/W *	1800

CUSTOM SIZE

Tabella lunghezze disponibili a richiesta.

Le misure si riferiscono alle lunghezze totali delle lampade.

Table of available lengths on request.

Measures are referred to complete fixtures including closing heads.

* Articolo standard a catalogo - Standard catalogue item

Drivers **ON/OFF**

Cod.	0155	0156	0160	0157	0161/100	0162
	24V-13W	24V-25W	24V-50W	24V-75W	24V-100W	24V-150W

IP67 drivers

Cod.	0033/IP	0034/IP	0036/IP
	24V-14,4W	24V-70W	24V-160W

DIMMABLE drivers

Cod.	0110/DIM	0717/DIM60	0717/DIM100
	12/24V	24V-60W	24V-100W

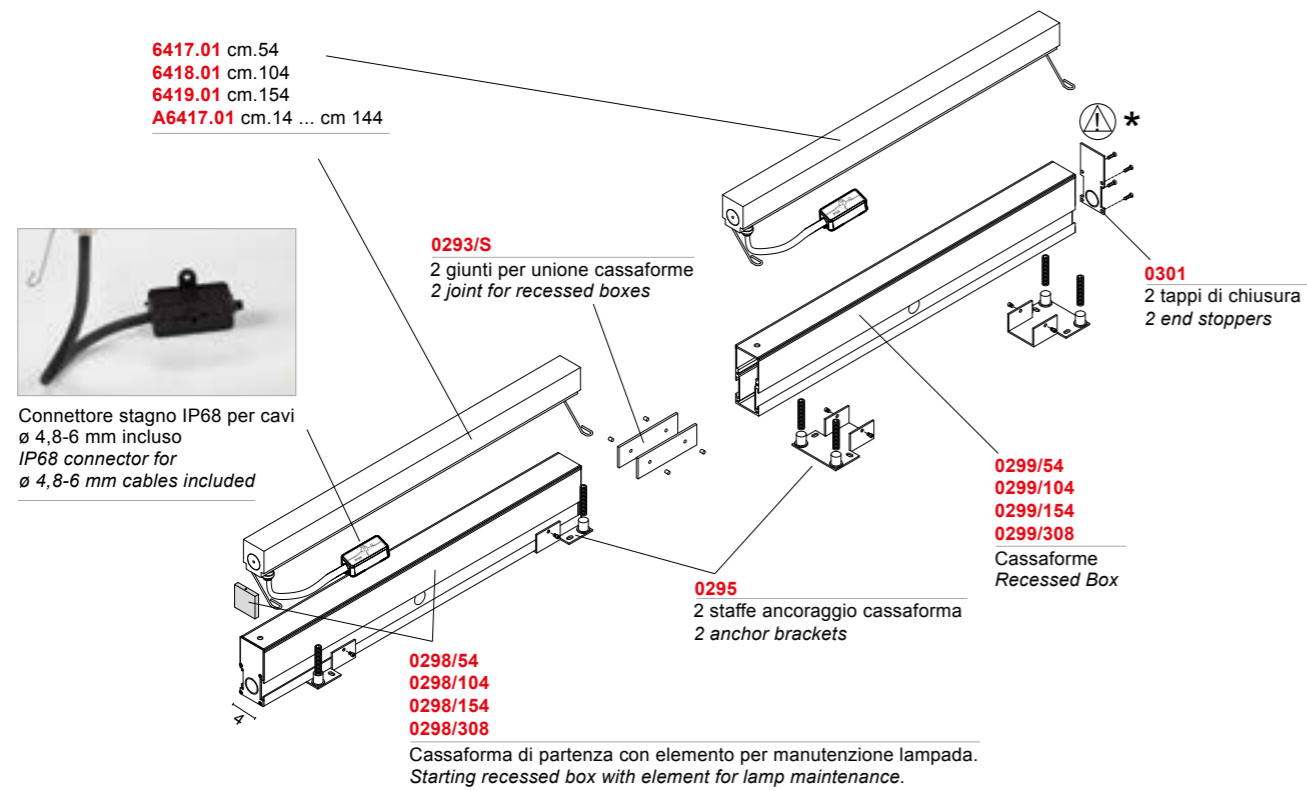
LED emergency unit

0115/EM
Inverter + Battery + LED indicator

Solo collegamento in parallelo. - Only parallel connection.



Esempio di configurazione - Configuration example



*Il tappo di chiusura è fornito con la cassaforma di partenza. The end stopper is included in the starting box.



Accessori - Accessories



0298
 Cassaforma di partenza con tappi ed elemento per manutenzione lampada.
 Starting recessed box with caps and element for lamp maintenance.

/54	55,1 x 4 x 9cm	0,9kg
/104	105,1 x 4 x 9cm	1,7kg
/154	155,1 x 4 x 9cm	2,6kg
/308	309,1 x 4 x 9cm	5,7kg



0299
 Cassaforma.
 I tappi di chiusura sono forniti con la cassaforma di partenza.
 Recessed box.
 The end stoppers are included in the starting box.

/54	54,1 x 4 x 9cm	0,8kg
/104	104,1 x 4 x 9cm	1,6kg
/154	154,1 x 4 x 9cm	2,5kg
/308	308,1 x 4 x 9cm	5,6kg



0295
 2 staffe ancoraggio per cassaforma
 2 anchor brackets for recessed box



0293/S
 2 giunti per unione cassaforme
 2 joints for recessed box



0301
 2 tappi di chiusura per cassaforma
 2 end stoppers for recessed box

