



Spots à encastrer fixes ou réglables en alu injecté, avec source LED reculée, réalisés en trois tailles différents pour pouvoir utiliser toutes sources lumineuses

**Caracteristiques:**

- Installation sur faux plafond par des ressorts
- Installation sur maçonnerie par l'utilisation du Plaster Kit
- Fixes ou réglables
- Sources : GU5,3, GU10 Module COB LED, module Power LED
- IP 44 avec le module COB LED 0108/IP
- Faisceaux disponibles: COB LED 24°, 40°, 60° Power LED : 10°, 25°, 40°
- Plusieurs tonalités de lumière (2700K, 3000K, 4000K et 5000K)
- Variateurs DALI, Push, 1-10V, et CASAMBI
- Unités d'urgence
- CRI>90 sur demande dans les versions COB LED

Focos empotrados (Marco Fino) con LED puesto mas al interior del spot realizados en tres tamaños diferentes para permitir el uso de diversas fuentes de luz.

**Características:**

- Instalación empotrada en falso techo con muelles.
- Instalación empotrada con caja por albañilería y por hormigón.
- fijo o ajustable
- Fuentes: GU5,3 -GU10- Módulo LED COB y módulos LED de potencia.
- IP 44 con el módulo LED COB 0108 / IP.
- Óptica disponible: COB Led 24°, 40° y 60° - Power Led 10°, 25° y 40°.
- Temperaturas de color: 2700, 3000, 4000 y 5000K.
- Acabados disponibles: blanco, negro, oro satinado, oro, cobre, níquel mate y cromo.
- Regulación Dimable: DALI, Push, 1-10V y CASAMBI.
- Grupo de emergencia.
- CRI> 90 a solicitud en versiones COB Led.

Einbaustrahler (dünner Flansch) mit rückwärtiger LED in drei verschiedenen Abmessungen, um die Verwendung unterschiedlicher Licht Quellen zu ermöglichen.

**Eigenschaften:**

- Einbau an der Zwischendecke durch Federn
- Unterputzmontage in der Wand mit dem Plaster Kit
- Fest oder einstellbar
- Licht Quellen: GU5,3 - GU10 - Modul LED COB und Modul Power LED.
- IP 44 mit der Modul-LED COB 0108 / IP.
- Verfügbare Abstrahlwinkel: LED COB 24°, 40° und 60° - LED Power 10°, 25° und 40°.
- Farbtemperaturen: 2700, 3000, 4000 und 5000K.
- Verfügbare Ausführungen: Weiß, Schwarz, Satin Gold, Gold, Kupfer, Nickel Matt und Chrom.
- Dimmer: DALI, Push, 1-10V und CASAMBI.
- Notlicht Batterie.
- CRI> 90 auf Anfrage in der LED - COB-Version.

Встроенные споты (с узкой рамкой) с углубленным светодиодом в трех размерах и разными источниками света

**Характеристики:**

- монтаж в подвесной потолок с помощью пружин
- монтаж в кирпичную кладку с монтажным корпусом
- неподвижные или ориентируемые
- источники света GU5,3, GU10, светодиод на плате, мощный светодиод
- IP44 в модели со светодиодом на плате 0108/IP
- пучки света для светодиода на плате 24, 40, 60 градусов; для мощного светодиода 10, 25 и 40 градусов
- цветовая температура 2700, 3000, 4000 и 5000K
- цвета: белый, серый, матовое золото, медь, хром и матовый никель
- диммирование: DALI, кнопка push, 1-10v и Casa Ambi
- аварийное питание
- по запросу CRI>90 для варианта светодиод на плате

Spots **TAPPO** design: U.T. EGOLUCE

Faretti da incasso (flangia sottile) con LED arretrato, realizzati in tre dimensioni diverse per consentire l'utilizzo di varie sorgenti luminose.

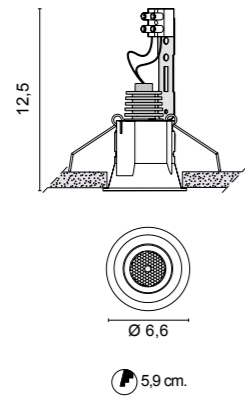
**Caratteristiche:**

- Installazione ad incasso su controsoffitto tramite molle.
- Installazione ad incasso in murature utilizzando Plaster Kit.
- Fissi o orientabili
- Sorgenti: GU5,3 GU10 Modulo LED COB e Moduli Power LED.
- IP 44 utilizzando Modulo LED COB 0108/IP.
- Ottiche disponibili: LED COB 24°, 40° e 60° - Power LED 10°, 25° e 40°.
- Temperature di colore: 2700, 3000, 4000 e 5000K.
- Finiture disponibili: Bianco, Nero, Oro Satinato, Oro, Rame, Nickel Matt e Cromo.
- Dimmerazione: DALI, Push, 1-10V e CASAMBI.
- Gruppo d'emergenza .
- CRI>90 a richiesta nelle versioni LED COB.

Recessed spots (thin flange) with backward LED made in three different dimensions to allow the use of different lighting sources.

**Features:**

- Recessed installation on the false ceiling through springs
- Recessed installation in wall using the Plaster Kit
- Fixed or adjustable
- Sources: GU5,3 GU10 Modulo LED COB and Modules Power LED.
- IP 44 using the Module LED COB 0108/IP.
- Beam angles available: LED COB 24°, 40° and 60° - Power LED 10°, 25° and 40°.
- Colours temperatures: 2700, 3000, 4000 and 5000K.
- Finitures available: White, Black, Satin gold, Gold, Copper, Nickel Matt and Chrome.
- Dimmer: DALI, Push, 1-10V and CASAMBI.
- Emergency group.
- CRI>90 upon request in the LED COB version.



**6327** Tappo mini

- .01 Bianco - White
- .02 Nero - Black

Light sources  
12V 20W GU4

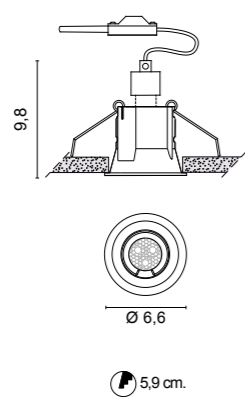
F II III 0,10 Kg

**6327 + POWER LED**

Color temperature	Optics	Light sources	lm
0120 4000K	25°	POWER LED max 2W 500mA	209lm
0122 3000K	25°	POWER LED max 2W 500mA	199lm

Cod. LED	Drivers ON/OFF		DIMMABLE drivers				DIMMABLE drivers wireless Casambi	
	0127 500mA	0147/COB 500mA	0141/DIM PUSH - 1...10V	0141/DALI DIM DALI	0145/DALI DIM DALI	0145 DIM	0718/CASA 4-15	0145/CASA 1-21
0120 - POWER LED	1-6	1-12	1-11	1-11	1-21	1-21	4-15	1-21
0122 - POWER LED	1-6	1-12	1-11	1-11	1-21	1-21	4-15	1-21

Solo collegamento in serie - Only serial connection



**6325** Tappo mini

- .01 Bianco - White
- .02 Nero - Black

Light sources  
3W GU10 LED (cod. 0093/19)

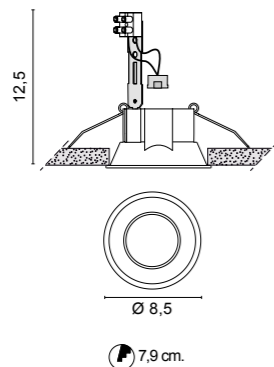
0,10 Kg

Accessori - Accessories



**0221**  
Plaster kit traforato 12,5 x 9  
Plaster kit perforated 12,5 x 9

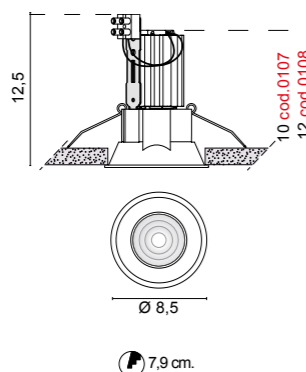




- 6330 Tappo**
- .01 Bianco - White
  - .02 Nero - Black
  - .21 Dorato lucido - Shiny golded
  - .25 Dorato satinato - Golded satin
  - .31 Cromato - Chromed
  - .32 Nickel satinato - Nickel mat
  - .38 Ramato lucido - Shiny copper

Light sources  
12V 50W GU5.3

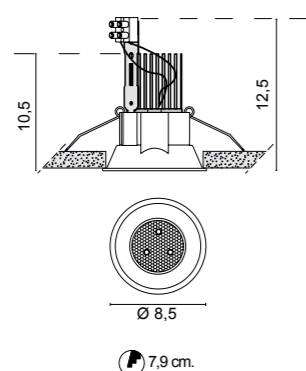
0,14 Kg



**6330 + COB LED**

Color temperature	Optics	Light sources	lm
0107/CW 5000K	/24 /40 /60	COB LED 6,1W 17,3V 350mA	1066lm
0107/NW 4000K	/24 /40 /60	COB LED 6,1W 17,3V 350mA	975lm
0107/WW 3000K	/24 /40 /60	COB LED 6,1W 17,3V 350mA	939lm
0107/XW 2700K	/24 /40 /60	COB LED 6,1W 17,3V 350mA	896lm

0108/CW 5000K	/24 /40 /60	COB LED 8,9W 17,8V 500mA	1480lm
0108/W 4000K	/24 /40 /60	COB LED 8,9W 17,8V 500mA	1353lm
0108/WW 3000K	/24 /40 /60	COB LED 8,9W 17,8V 500mA	1303lm
0108/XW 2700K	/24 /40 /60	COB LED 8,9W 17,8V 500mA	1244lm
0108/W/IP 4000K	/24 /38 /58	COB LED IP44 8,9W 17,8V 500mA	1353lm
0108/WW/IP 3000K	/24 /38 /58	COB LED IP44 8,9W 17,8V 500mA	1303lm



**6330 + POWER LED**

Color temperature	Optics	Light sources	lm
0121 4000K	25°	POWER LED max 3x3W 700mA	846lm
0123 3000K	25°	POWER LED max 3x3W 700mA	804lm

Accessori - Accessories



**0203**  
Plaster kit traforato 15 x 19  
Plaster kit perforated 15 x 19



**0183**  
Dischi reggi lampadina in metacrilato  
solo per il fissaggio del modulo LED.  
Methacrylate disks  
only for fixing LED module.



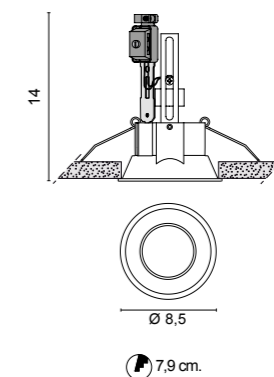
**/TR** Trasparente - Clear



**/ST** Satinato - Satin

Cod. LED	Drivers ON/OFF				DIMMABLE drivers				DIMMABLE drivers wireless Casambi		LED emergency unit
	0125 350mA	0147/COB 500mA	0149/COB 500mA	0126 700mA	0141/DIM PUSH - 1...10V	0141/DALI DIM DALI	0145/DALI DIM DALI	0145 DIM	0718/CASA	0145/CASA	0115/EM Inverter + Battery + LED indicator
0107 - COB LED	1	NO	NO	NO	1-2	1-2	1-3	1-3	1-2	1-3	1
0108 - COB LED	1	1-2	1	NO	1-2	1-2	1-3	1-3	1-2	1-3	1
0121 - POWER LED	1-2	1-4	NO	1-2	1-2	1-2	1-6	1-6	2-4	1-6	1
0123 - POWER LED	1-2	1-4	NO	1-2	1-2	1-2	1-6	1-6	2-4	1-6	1

Solo collegamento in serie - Only serial connection



- 6329 Tappo 230V**
- .01 Bianco - White
  - .02 Nero - Black
  - .21 Dorato lucido - Shiny golded
  - .25 Dorato satinato - Golded satin
  - .31 Cromato - Chromed
  - .32 Nickel satinato - Nickel mat
  - .38 Ramato lucido - Shiny copper

Light sources  
7W GU10 LED DIM (cod. 0104/16)  
7W GU10 LED (cod. 0094/16)  
max 50W GU10 (cod. 0072)

0,20 Kg



.01 Bianco - White



.02 Nero - Black



.21 Dorato lucido - Shiny golded



.25 Dorato satinato - Golded satin



.31 Cromato - Chromed

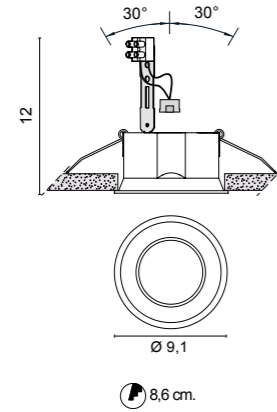


.32 Nickel satinato - Nickel mat



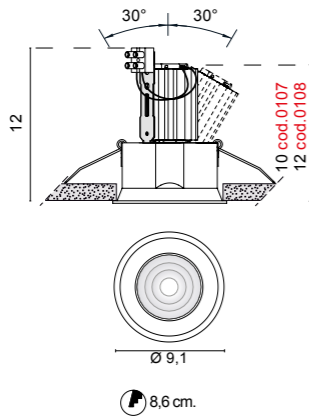
.38 Ramato lucido - Shiny copper





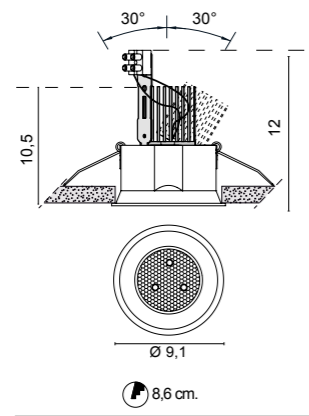
**6318** Tappo Adjustable

- .01 Bianco - White
  - .02 Nero - Black
- Light sources  
12V 50W GU5.3
- 0,22 Kg



**6318 + COB LED**

Color temperature	Optics	Light sources	lm
0107/CW 5000K	/24 /40 /60	COB LED 6,1W 17,3V 350mA	1066lm
0107/W 4000K	/24 /40 /60	COB LED 6,1W 17,3V 350mA	975lm
0107/WW 3000K	/24 /40 /60	COB LED 6,1W 17,3V 350mA	939lm
0107/XW 2700K	/24 /40 /60	COB LED 6,1W 17,3V 350mA	896lm
0108/CW 5000K	/24 /40 /60	COB LED 8,9W 17,8V 500mA	1480lm
0108/W 4000K	/24 /40 /60	COB LED 8,9W 17,8V 500mA	1353lm
0108/WW 3000K	/24 /40 /60	COB LED 8,9W 17,8V 500mA	1303lm
0108/XW 2700K	/24 /40 /60	COB LED 8,9W 17,8V 500mA	1244lm
0108/W/IP 4000K	/24 /38 /58	COB LED IP44 8,9W 17,8V 500mA	1353lm
0108/WW/IP 3000K	/24 /38 /58	COB LED IP44 8,9W 17,8V 500mA	1303lm



**6318 + POWER LED**

Color temperature	Optics	Light sources	lm
0121 4000K	25°	POWER LED max 3x3W 700mA	846lm
0123 3000K	25°	POWER LED max 3x3W 700mA	804lm

Accessori - Accessories

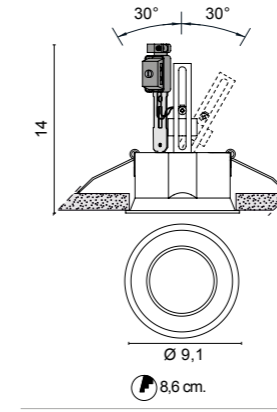


**0183**  
Dischi reggi lampadina in metacrilato solo per il fissaggio del modulo LED.  
Methacrylate disks only for fixing LED module.

- /TR Trasparente - Clear
- /ST Satinato - Satin

Cod. LED	Drivers ON/OFF				DIMMABLE drivers				DIMMABLE drivers wireless Casambi		LED emergency unit
	0125 350mA	0147/COB 500mA	0149/COB 500mA	0126 700mA	0141/DIM PUSH - 1...10V	0141/DALI DIM DALI	0145/DALI DIM DALI	0145 DIM	0718/CASA	0145/CASA	0115/EM Inverter + Battery + LED indicator
0107 - COB LED	1	NO	NO	NO	1-2	1-2	1-3	1-3	1-2	1-3	1
0108 - COB LED	1	1-2	1	NO	1-2	1-2	1-3	1-3	1-2	1-3	1
0121 - POWER LED	1-2	1-4	NO	1-2	1-2	1-2	1-6	1-6	2-4	1-6	1
0123 - POWER LED	1-2	1-4	NO	1-2	1-2	1-2	1-6	1-6	2-4	1-6	1

Solo collegamento in serie - Only serial connection



**6319** Tappo Adjustable 230V

- .01 Bianco - White
  - .02 Nero - Black
- Light sources  
7W GU10 LED DIM (cod. 0104/16)  
7W GU10 LED (cod. 0094/16)  
max 50W GU10 (cod. 0072)
- 0,28 Kg

