

TWIST 2081 LED

REF. 2081

1 x Max 1 W LED

1 x Max 25 W G9 240 V

1 x 5 W Led 220 V



Medidas / Size: ↔ 126 mm † 195 mm

Acabados / Finishes

Color / Colour: Blanco / White

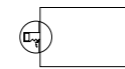
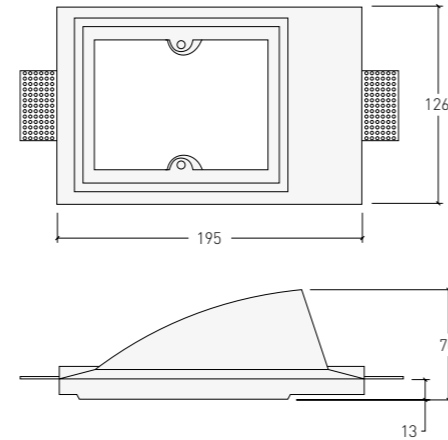
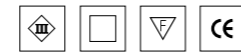
Material: Inesplast

Aleación especial de escayola /

Special plaster alloy

Alimentador Led incluido

Led Driver included



Empotramiento / Cut out size: 129 x 198 mm

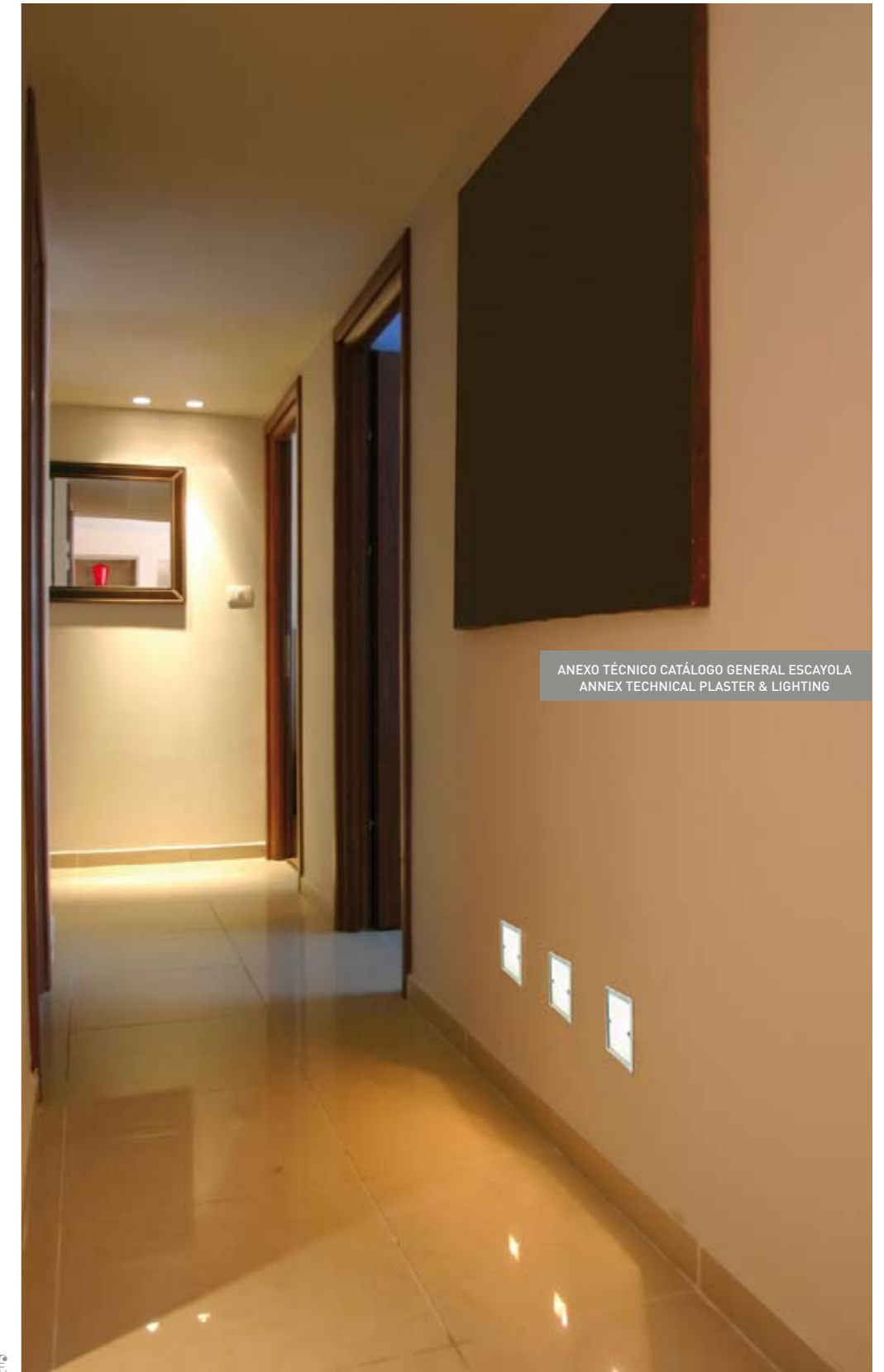


REF. TWIST 2081

PRECIO PVP. / PRICE LED : 66 €

PRECIO PVP. / PRICE G9 : 29 €

PRECIO PVP. / PRICE LED 5 W : Consult. €



ANEXO TÉCNICO CATÁLOGO GENERAL ESCAYOLA
ANNEX TECHNICAL PLASTER & LIGHTING