



RECESSED MOUNTING WITH SUSPENDED LEGEND LEDLUX2-V



← → 30m



← → 30m

Input Power:

- 5,3W/ 5,6VA (maintained M)
- 2,0W/ 3,8VA (non-maintained NM)
- 3,0W/ 5,1VA (CBS)



← → 30m

• **NEW Generation** modern design **recessed LED** non-maintained (NM), maintained (M) or centralised (C) emergency lighting with smooth legend illumination for all **areas such as offices, shops, hotels, banks, entrance halls, schools, hospitals, etc.**

It is available in all following versions:

- **AUTOTEST** (-AT)
- **DALI**
- **CENTRALTEST** (-ATXL) for **ELMAX LOOK** system (look up also page No.36)
- **Wireless CENTRALTEST** (-ATRF) for **ELMAX Wireless** system (page No.38)
- **CENTRAL BATTERY** (C.LEDLUX) for **non-addressable CBS** (look up also page No.44)
- **CENTRAL BATTERY** (-ATXP) for system **ELMAX-PATROLUX & Addressable CBS** (look up also page No.40)
- Conforming to the requirement of EN60598-2-22, EN1838, EN62034
- Legend luminance >500cd/m² (white)
- Design: metal sheet body with PE powder coat finish RAL9006 (grey) or RAL9003 (white)

• NOVÁ generácia moderného stropného zapusteného LED svietidla pre **netrvalé (NM), trvalé (M)** alebo **centrálne (C)** núdzové osvetlenie s perfektnou rovnomernosťou osvetlenia piktogramu **navrhnuté pre všeobecné použitie priestorov ako napr. kancelárie, obchody, školy, nemocnice, vstupné haly, banky a pod.,** aj s funkciami:

- **AUTOTEST** (-AT),
- **DALI**
- **CENTRALTEST** (-ATXL) pre systém ELMAX LOOK (pozri str.36)
- **bezdrôtový CENTRALTEST** (-ATRF) pre ELMAX Wireless systém (str.38)
- **CENTRAL BATTERY** (C.LEDLUX) pre **neadresovateľné CBS** (pozri str.44)
- **CENTRAL BATTERY** (-ATXP) pre systém **ELMAX-PATROLUX s adresovateľnou CBS** (pozri str. 40)
- spĺňa požiadavky európskej normy EN 60598-2-22, EN1838, EN62034
- jas piktogramu >500cd/m² (white)
- konštrukcia: teleso z ocelového plechu vo farbe RAL9006 (šedá) alebo RAL9003 (biela)

STANDARD

ŠTANDARDNÁ VÝBAVA

- **High efficient MidPower (150lm/W, 5000K) LONGLIFE LEDs (>100.000h)**
- **NEW Advanced Electronics**
- **LONGLIFE LiFePo4 battery**
- **Installation Mode** (battery protection, for more details look up page No.51+114)
- **Intelligent battery charging** (intermittent charging, look up page No.51+114)
- **DIP Switch** allowing to preset following functions:
 - **ECO Mode** (dimming 10%-100%, for more details look up page No.51+114)
- Addressable CENTRALTEST communication module (for ATXL, ATXP, ATRF only)
- LEDs indicating presence of power supply and signaling failures + TEST button
- **vysoko účinné MidPower LED (150lm/W, 5000K)**
- **so životnosťou min.100000h**
- **progressívna elektronická jednotka**
- **LONGLIFE LiFePo4 batéria**
- **Inštalčný mód** (ochrana batérie, pozri aj str.51+114)
- **Inteligentné nabíjanie batérie** ("intermittent" nabíjanie, pozri aj str.51+114)
- **DIP prepínač** umožňujúci prednastavenie funkcií:
 - **ECO Mód** (stmievanie 10%-100%, pozri aj str.51+114)
- adresovateľný CENTRALTEST komunikačný modul (len pre ATXL, ATXP, ATRF verzie)
- signalizácia LED a TEST tlačítko

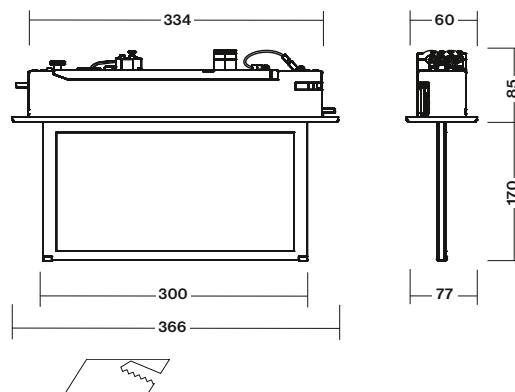
ACCESSORIES

PRÍPLATKY

- **Special suspended plexi with layered design for perfect uniform illumination of legend** (it must be ordered as a separate item- further details look up page No.118)
- Alternative colour surface treatment in RAL (min order quantity 100pcs)
- **špeciálne vrstvené závesné plexi pre rovnomerné osvetlenie piktogramu na jeho celej ploche** (plexi musí byť objednané samostatne podľa želaného piktogramu- viď str.118 pre detaily)
- povrchová úprava vo farbe podľa špecifikácie odberateľa (min 100ks)



RECESSED WITH SUSPENDED LEGEND LEDLUX2-V



Recessed mounting hole size: 340 x 65 mm
Rozmer montážneho otvoru : 340 x 65 mm

Page No.32

AUTOTEST -AT NM/M

Type	Version	Colour	Light Source	Duration	Battery	Order Code	Weight
MULTILED2-V-AT.3h RAL9006	Only Body, No Plexi incl.	Grey / šedá	MidPower LEDs	3h	LiFePo4 6,4V/1,0Ah	309-B-102-04-00-01	1,3 kg
MULTILED2-V-AT.3h RAL9003	Only Body, No Plexi incl.	White / biela	MidPower LEDs	3h	LiFePo4 6,4V/1,0Ah	309-B-102-04-00-02	1,3 kg
MULTILED2-V-AT.3h RAL9005	Only Body, No Plexi incl.	Black / čierna	MidPower LEDs	3h	LiFePo4 6,4V/1,0Ah	309-B-102-04-00-03	1,3 kg

DALI Self-Contained

Type	Version	Colour	Light Source	Duration	Battery	Order Code	Weight
MULTILED2-V-DALI.3h RAL9006	Only Body, No Plexi incl.	Grey / šedá	MidPower LEDs	3h	LiFePo4 6,4V/1,0Ah	309-B-115-04-00-01	1,2 kg
MULTILED2-V-DALI.3h RAL9003	Only Body, No Plexi incl.	White / biela	MidPower LEDs	3h	LiFePo4 6,4V/1,0Ah	309-B-115-04-00-02	1,2 kg
MULTILED2-V-DALI.3h RAL9005	Only Body, No Plexi incl.	Black / čierna	MidPower LEDs	3h	LiFePo4 6,4V/1,0Ah	309-B-115-04-00-03	1,2 kg

Page No.36

CENTRALTEST -ATXL ELMAX-LOOK

Type	Version	Colour	Light Source	Duration	Battery	Order Code	Weight
MULTILED2-V-ATXL.3h RAL9006	Only Body, No Plexi incl.	Grey / šedá	MidPower LEDs	3h	LiFePo4 6,4V/1,0Ah	309-B-104-04-00-01	1,4 kg
MULTILED2-V-ATXL.3h RAL9003	Only Body, No Plexi incl.	White / biela	MidPower LEDs	3h	LiFePo4 6,4V/1,0Ah	309-B-104-04-00-02	1,4 kg
MULTILED2-V-ATXL.3h RAL9005	Only Body, No Plexi incl.	Black / čierna	MidPower LEDs	3h	LiFePo4 6,4V/1,0Ah	309-B-104-04-00-03	1,4 kg

Page No.38

Wireless CENTRALTEST ELMAX-ATRF

Type	Version	Colour	Light Source	Duration	Battery	Order Code	Weight
MULTILED2-V-ATRF.3h RAL9006	Only Body, No Plexi incl.	Grey / šedá	MidPower LEDs	3h	LiFePo4 6,4V/1,0Ah	309-B-116-04-00-01	1,3 kg
MULTILED2-V-ATRF.3h RAL9003	Only Body, No Plexi incl.	White / biela	MidPower LEDs	3h	LiFePo4 6,4V/1,0Ah	309-B-116-04-00-02	1,3 kg

Page No.44

CENTRAL BATTERY (CBS)

Type	Version	Colour	CBS Version for	Light Source	Order Code	Weight
C.LEDLUX2-V 230V AC/DC	Only Body, No Plexi incl.	Grey / šedá	CBS NON-ADDRESSABLE	MidPower LEDs	309-B-107-00-00-01	1,0 kg
C.LEDLUX2-V 230V AC/DC	Only Body, No Plexi incl.	White / biela	CBS NON-ADDRESSABLE	MidPower LEDs	309-B-107-00-00-02	1,0 kg
C.LEDLUX2-V 230V AC/DC	Only Body, No Plexi incl.	Black / čierna	CBS NON-ADDRESSABLE	MidPower LEDs	309-B-107-00-00-03	1,0 kg
C.LEDLUX2-V 24V AC/DC	Only Body, No Plexi incl.	Grey / šedá	CBS NON-ADDRESSABLE	MidPower LEDs	309-B-108-00-00-01	1,0 kg
C.LEDLUX2-V 24V AC/DC	Only Body, No Plexi incl.	White / biela	CBS NON-ADDRESSABLE	MidPower LEDs	309-B-108-00-00-02	1,0 kg

DALI CENTRAL BATTERY (CBS)

Type	Version	Colour	CBS Version for	Light Source	Order Code	Weight
C.LEDLUX2-V-DALI 230V AC	Only Body, No Plexi incl.	Grey / šedá	DALI CBS	MidPower LEDs	309-B-117-00-00-01	1,0 kg
C.LEDLUX2-V-DALI 230V AC	Only Body, No Plexi incl.	White / biela	DALI CBS	MidPower LEDs	309-B-117-00-00-02	1,0 kg
C.LEDLUX2-V-DALI 230V AC	Only Body, No Plexi incl.	Black / čierna	DALI CBS	MidPower LEDs	309-B-117-00-00-03	1,0 kg

Page No.40

Addressable CENTRAL BATTERY (CBS) -ATXP ELMAX-PATROLUX

Type	Version	Colour	CBS Version for	Light Source	Order Code	Weight
C.LEDLUX2-V-ATXPR 230V AC/DC	Only Body, No Plexi incl.	Grey / šedá	CBS ADDRESSABLE	MidPower LEDs	309-B-109-00-00-01	1,1 kg
C.LEDLUX2-V-ATXPR 230V AC/DC	Only Body, No Plexi incl.	White / biela	CBS ADDRESSABLE	MidPower LEDs	309-B-109-00-00-02	1,1 kg

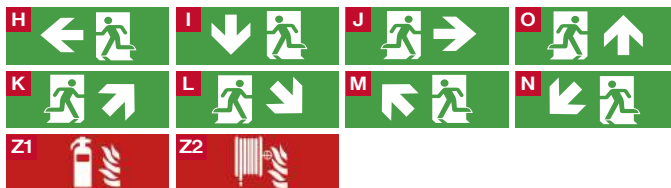


• It is not included in standard package.
It must be ordered as separate item !

- Viewing Distance: 30m
- Complying ISO7010
- Legend luminance $>500\text{cd/m}^2$ (white)

• Nie je súčasťou štandardného balenia svetidla.
Musí byť objednané ako samostatná položka !

- rozoznateľnosť piktogramu: 30m
- v súlade s ISO7010
- jas piktogramu $>500\text{cd/m}^2$ (biela)



Suspended plexi Accessory

Optional Item / Príplatok	Order Code / Objednávaci kód
Double sided plexi with legend H/J	309-B-000-00-00-01
Double sided plexi with legend I	309-B-000-00-00-02
Single sided plexi with legend H	309-B-000-00-00-03
Single sided plexi with legend I	309-B-000-00-00-04
Single sided plexi with legend J	309-B-000-00-00-05
Double sided plexi with legend K/M	309-B-000-00-00-06
Double sided plexi with legend L/N	309-B-000-00-00-07
Single sided plexi with legend K	309-B-000-00-00-08
Single sided plexi with legend L	309-B-000-00-00-09
Single sided plexi with legend M	309-B-000-00-00-10
Single sided plexi with legend N	309-B-000-00-00-11
Single sided plexi with legend O	309-B-000-00-00-12
Double sided plexi with legend O	309-B-000-00-00-13
Double sided plexi with legend Z1	309-B-000-00-00-27
Double sided plexi with legend Z2	309-B-000-00-00-28

Závesné plexi s piktogramom

Príplatok	Objednávaci kód
Obojstranné plexi s piktogramom H/J	309-B-000-00-00-01
Obojstranné plexi s piktogramom I	309-B-000-00-00-02
Jednostranné plexi s piktogramom H	309-B-000-00-00-03
Jednostranné plexi s piktogramom I	309-B-000-00-00-04
Jednostranné plexi s piktogramom J	309-B-000-00-00-05
Obojstranné plexi s piktogramom K/M	309-B-000-00-00-06
Obojstranné plexi s piktogramom L/N	309-B-000-00-00-07
Jednostranné plexi s piktogramom K	309-B-000-00-00-08
Jednostranné plexi s piktogramom L	309-B-000-00-00-09
Jednostranné plexi s piktogramom M	309-B-000-00-00-10
Jednostranné plexi s piktogramom N	309-B-000-00-00-11
Jednostranné plexi s piktogramom O	309-B-000-00-00-12
Obojstranné plexi s piktogramom O	309-B-000-00-00-13
Obojstranné plexi s piktogramom Z1	309-B-000-00-00-27
Obojstranné plexi s piktogramom Z2	309-B-000-00-00-28

