

# **Controller ZH-RF28B** **(12/24V,144/288W, 28 Buttons)**

## **Summarize**

RF 28-key LED RGB controller adopts the advanced micro control unit, it is used for controlling a variety of lamp whose source of light is LED. For instance, point source of light, flexible light strip, wall washer lamp, glass curtain wall light and so on; At the same time, it has many advantages such as convenient connection ,simplicity to use and others. According to the actual need of customers, it can carry out jumpy changing, gradual changing and other effects of change. Total 28 modes for your choice.

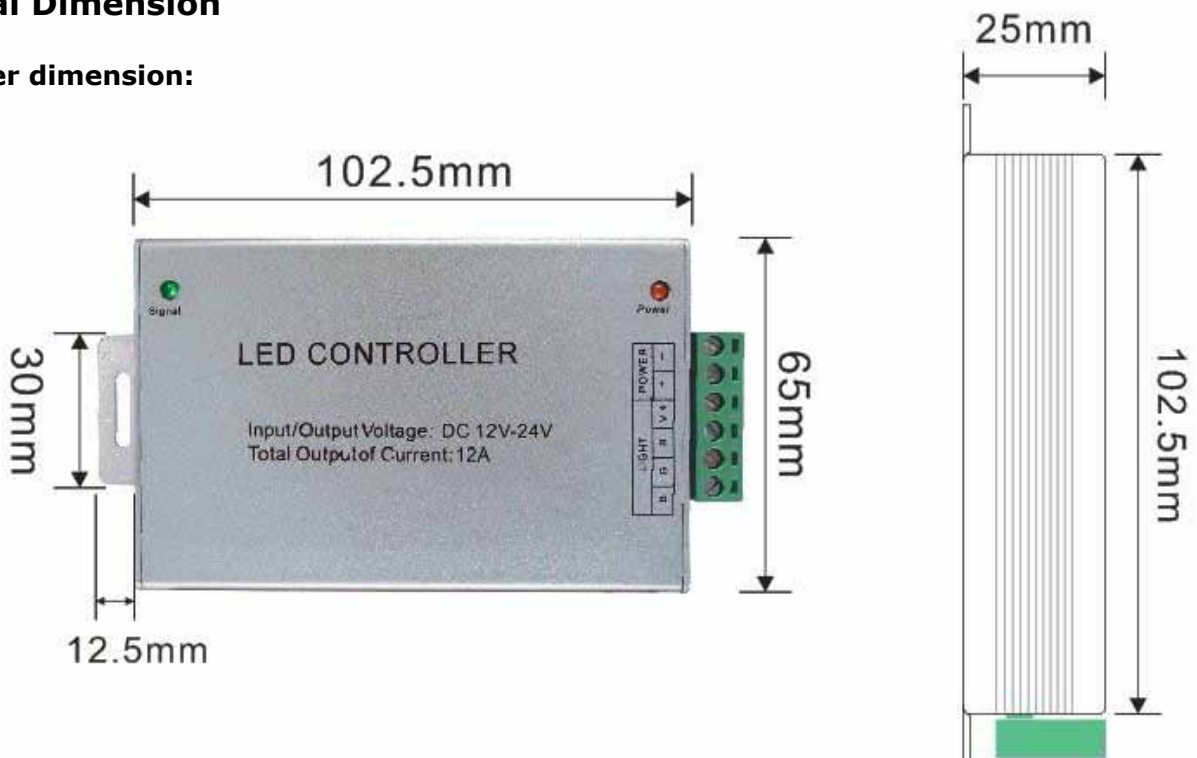


## **Technical parameters**

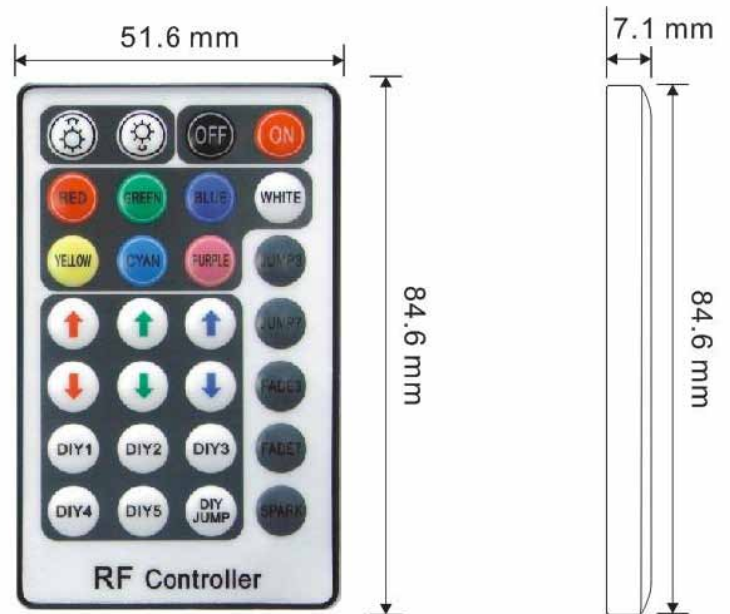
- Working Temperature: -20~+60°C
- Supply Voltage: DC12/24V <optional> (for orders specify voltage)
- Output: 3 channels
- Connection Mode: common anode or common cathode
- External Dimension: L128XW65XH25 mm
- Net Weight: 190g
- Gross Weight: 204.5g
- Static Power: <1W
- Output Current: <4A (each channel )
- Output Power: 12V<144W, 24V<288W

## **External Dimension**

- **Controller dimension:**



● **Remote control dimension:**



**Key instruction:**



**Direction for use:**

1. Connect the load wire at first, following by the power wire; Please ensure short circuit can't occur between connecting wire before you turn on the power.
2. Standard color changes as follows:

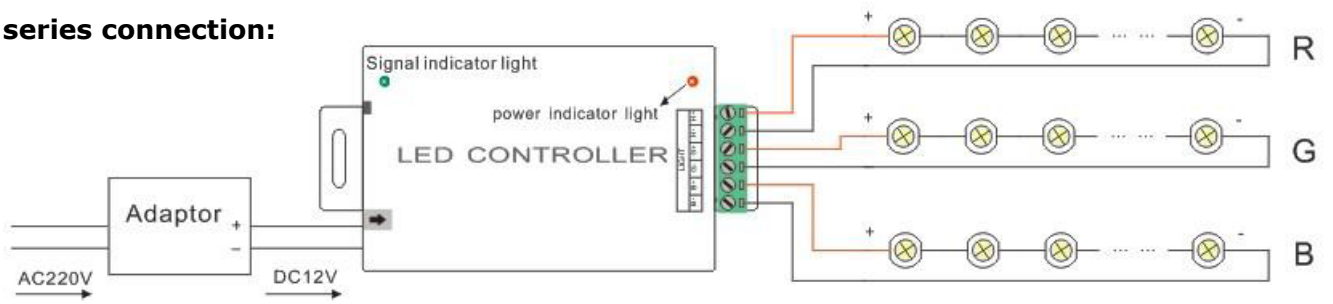
Brightness +( 16 in all )	Brightness-( 16 in all )	Off	On
Static red	Static green	Static blue	Static white
Static orange	Static pea green	Static dark blue	7 color jumpy change
Static dark yellow	Static cyan	Static brown	All fade out & fade in
Static yellow	Static light blue	Static pink	7 color fade change
Increase red	Increase green	Increase blue	3 base color jumpy
Decrease red	Decrease green	Decrease blue	DIY

**Direction:**

1. When switching to dynamic modes the button of "Brightness +"/ "Brightness -" means the speed of light change is up/ down, there are 100 step in all.
2. The FADE and SMOOTH all have two modes, which are "3 base colors jumpy/7 colors jumpy" and "3 base colors fade/7 colors fade", you can press one more time to change it.
3. when press FADE and SMOOTH, the "FLASH" and "STROBE" key are invalid.
4. When in the static modes, press the "FLASH" /"STROBE" key, the mode will change to be " the single color Strobeflash/ Gradual changing".

## Connecting drawing:

- **series connection:**



- **parallel connection:**

