

# TLPZ-12W Series single output switching power supply



Dimension: 78 × 48 × 21mm

## Features:

- Universal AC input / Full range
- Small volume, low weight, high efficiency
- Protections : short circuit/over load/over voltage/over temp
- Cooling by free air convection
- LED indicator for power on
- 100% full load burn-in test
- 2 Years warranty

## SPECIFICATION



Model		TLPZ-12-5	TLPZ-12-12	TLPZ-12-24
Output	DC voltage	5V	12V	24V
	Voltage tolerance	± 1%	± 1%	± 1%
	Rated current	2A	1.0A	0.5A
	Current range	0 ~ 2A	0 ~ 1.0A	0 ~ 0.5A
	Rated power	10W	12W	12W
	Ripple&noise	80mVp-p	120mVp-p	120mVp-p
	DC voltage ADJ. range	-9% ~ +10%	± 10%	± 10%
Setup, rise, hold up time		500ms,20ms,24ms/230VAC.800ms,30ms,20ms/115VAC		
Input	Voltage range	90 ~ 264VAC 47 ~ 63Hz, 125 ~ 373VDC		
	AC current	0.25A/115VAC 0.15A/230VAC		
	Efficiency	76%	79%	81%
	Inrush current	Cold start 15A/115V 30A/230VAC		
	leakage current	< 0.25mA/240VAC		
Protection	Overload	Rated output power 115% ~ 135% Start overload protection Protection type: hiccup mode, auto-recovery after fault condition is removed		
	Over voltage	125% ~ 150%	125% ~ 150%	125% ~ 150%
	Over voltage	when temperature of transistor inner node is over 150°C, Start over temp protection Protection type: hiccup mode, auto-recovery after temperature become normal		
Environment	Working temp, humidity	-10°C ~ +60°C; 20% ~ 90%RH (Please refer to "derating curve" )		
	Storage temp, humidity	-20°C ~ +85°C; 10% ~ 95%RH Non-condensing		
	Withstand vibration	10 ~ 500Hz, 2G 10min./1Cycle, Period for 60min, Each axes		
Safety	Withstand voltage	I/P-O/P: 1.5KVAC I/P-FG: 1.5KVAC O/P-FG: 0.5KVAC		
	Isolation resistance	I/P-O/P: I/P-FG,O/P-FG: 100M Ohms/500VDC		
Fit standard	Safety standard	Fit UL1012		
	EMC Standard	Fit EN55022, CLASSA		
Others	Dimension	0.08kg 78*48*21 ( L*W*H )		
	Weight	0.08kg/200pcs/17kg/0.87CUFT		

Note: 1. All parameters NOT specially mentioned are measured at 230VAC input, rated load and 25°C of ambient temperature.

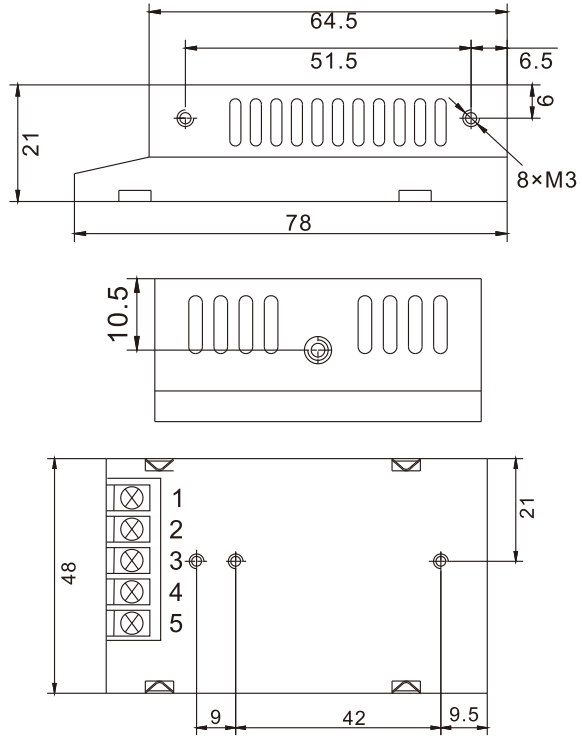
2. Ripple & noise are measured at 20MHz of bandwidth by using a 12" twisted pair-wire terminated with a 0.1uf & 47uf parallel capacitor.

3. Tolerance : includes set up tolerance, line regulation and load regulation.

# TLPZ-12W Series single output switching power supply

## Mechanical specification

Unit:mm

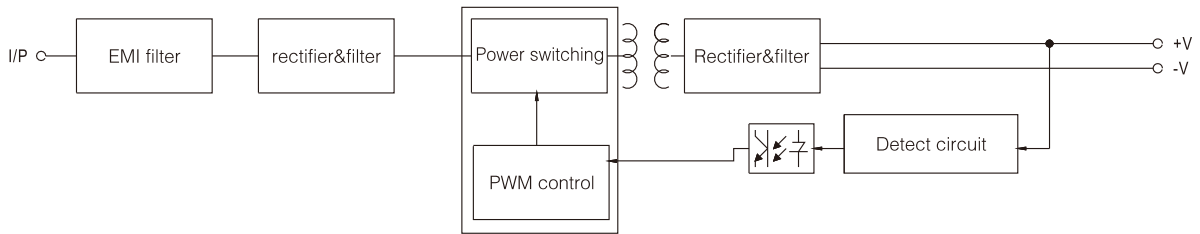


Terminal Pin No.Assignment

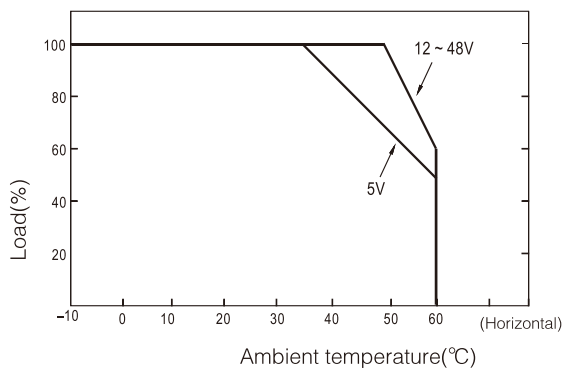
Pin No.	Assignment	Pin No.	Assignment
1	AC/L	4	DC OUTPUT -V
2	AC/N	5	DC OUTPUT +V
3	FG $\perp$		

## Block diagram

Frequency: 60KHz



## Derating curve



## Static characteristic

