



Dimension: 199 × 99 × 48mm

Features:

- AC input voltage range selected by switch
- Small volume, low weight, high efficiency
- Protections : short circuit/over load/over voltage/over temp
- DC fan forced air cooling
- Built-in fan speed control
- LED indicator for power on
- 100% full load burn-in test
- 2 Years warranty



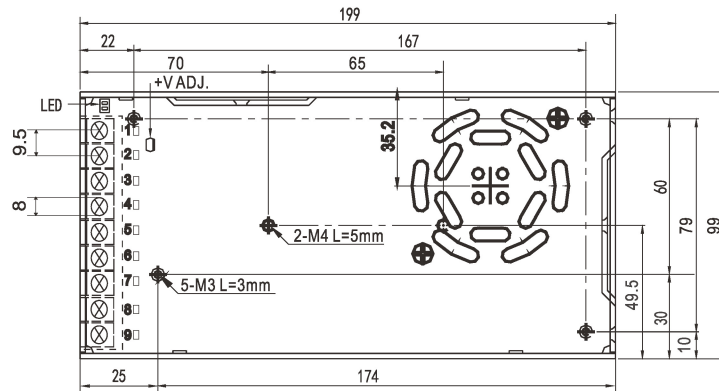
SPECIFICATION

| Model | | TLPZ-5-350 | TLPZ-12-350 | TLPZ-15-350 | TLPZ-24-350 |
|------------------|---|--|-------------|-------------|-------------|
| Output | DC voltage | 5V | 12V | 15V | 24V |
| | Voltage tolerance | ± 1% | ± 1% | ± 1% | ± 1% |
| | Rated current | 50A | 29A | 23A | 14.6A |
| | Current range | 0 ~ 50A | 0 ~ 29A | 0 ~ 23A | 0 ~ 14.6A |
| | Rated power | 250W | 348W | 345W | 358W |
| | Ripple&noise | 150mVp-p | 150mVp-p | 150mVp-p | 200mVp-p |
| | DC voltage ADJ. range | ± 10% | ± 10% | ± 10% | ± 10% |
| | Setup, rise, hold up time | 1000ms,100ms,30ms/230VAC. | | | |
| Input | Voltage range | 90 ~ 132VAC/180 ~ 264VAC(Selected by switch) 47 ~ 63Hz, 255 ~ 373VDC | | | |
| | AC current | 6.5A/115V 4A/230VAC | | | |
| | Efficiency | 80% | 82% | 82% | 84% |
| | Inrush current | Cold start 25A/115V 50A/230VAC | | | |
| | leakage current | < 3.5mA/240VAC | | | |
| Protection | Overload | Rated output power110% ~ 135%Start overload protection | | | |
| | | Protection type: hiccup mode, auto-recovery after fault condition is removed | | | |
| | Over voltage | Rated output power115% ~ 135%Start overload protection | | | |
| | | Protection type: hiccup mode, auto-recovery after fault condition is removed | | | |
| Over temperature | ≥85°C ± 5°C(TSW1detect on heatsink of power transistor) | | | | |
| | Protection mode: cutoff output, auto-recovery after temperature become normal | | | | |
| Environment | Working temp, humidity | -10°C ~ +60°C;20% ~ 90%RH(Please refer to "derating curve") | | | |
| | Storage temp, humidity | -20°C ~ +85°C;10% ~ 95%RH Non-condensing | | | |
| | Withstand vibration | 10 ~ 500Hz, 2G 10min./1Cycle, Period for 60min, Each axes | | | |
| Safety | Withstand voltage | I/P-O/P: 1.5KVAC I/P-FG: 1.5KVAC O/P-FG: 0.5KVAC | | | |
| | Isolation resistance | I/P-O/P: I/P-FG,O/P-FG: 100M Ohms/500VDC | | | |
| Fit standard | Safety standard | Fit UL1012 | | | |
| | EMC Standard | Fit EN55022, CLASSA | | | |
| Others | Dimension | 0.80kg 199*99*48mm (L*W*H) | | | |
| | Weight | 0.80kg/24pcs/20kg/1.20CUFT | | | |

Note: 1. All parameters NOT specially mentioned are measured at 230VAC input, rated load and 25°C of ambient temperature.
 2. Ripple & noise are measured at 20MHz of bandwidth by using a 12" twisted pair-wire terminated with a 0.1uf & 47uf parallel capacitor.
 3. Tolerance : includes set up tolerance, line regulation and load regulation.

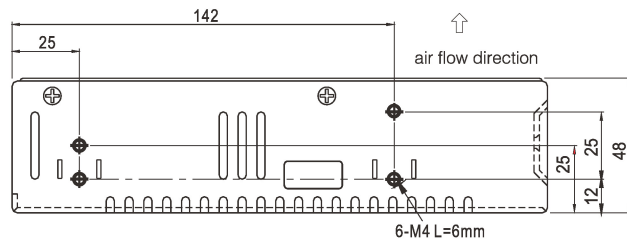
Mechanical specification

Unit:mm

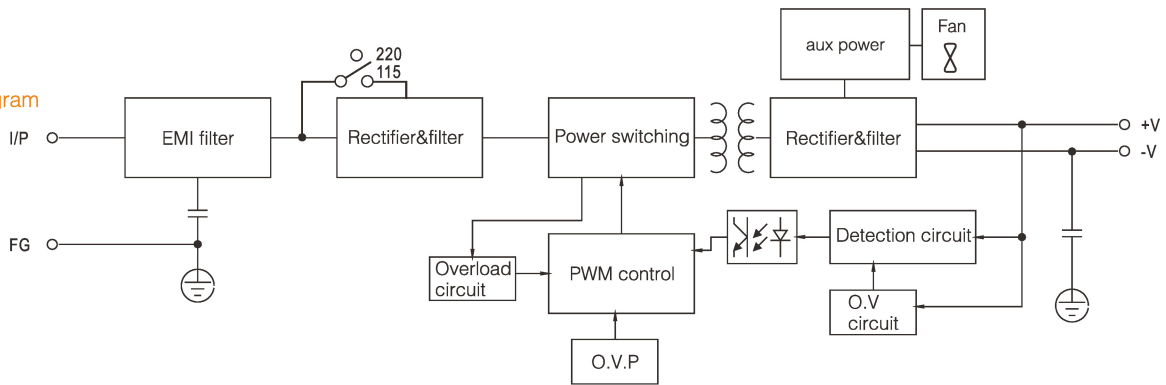


Terminal Pin No.Assignment

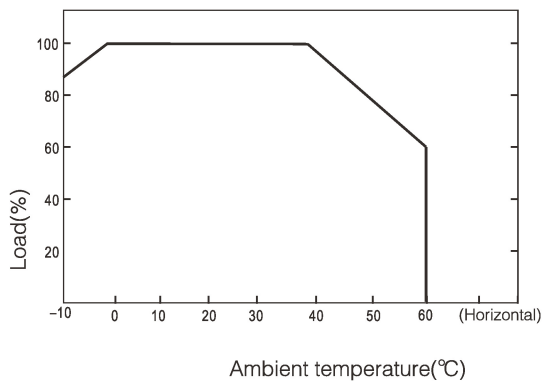
| Pin No. | Assignment | Pin No. | Assignment |
|---------|------------|---------|--------------|
| 8 | AC/L | 4 ~ 6 | DC OUTPUT -V |
| 9 | AC/N | 1 ~ 3 | DC OUTPUT +V |
| 7 | FG \perp | | |



Block diagram



Derating curve



Static characteristic

