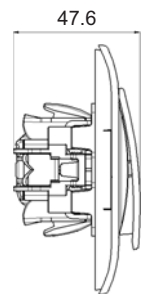
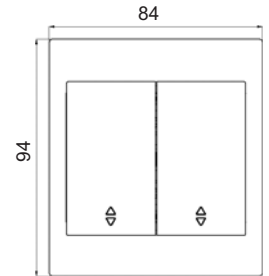
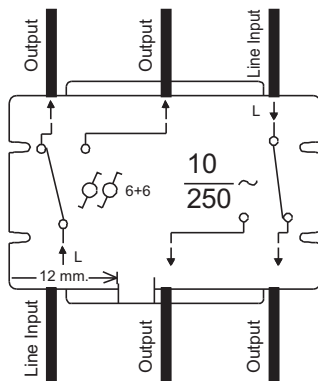


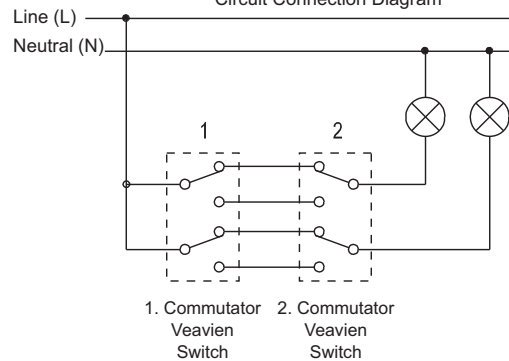
- 1) Button
- 2) Fixing part
- 3) Transparent part
- 4) Frame
- 5) Base
- 6) Screw of the claw
- 7) Tumbler



Connection Diagram



Circuit Connection Diagram



**Technical Specifications:**

- 2 X One pole, two routes.
- 10AX 250V~ switch

**Fuse installation:**

1- The cable connections are made in accordance with the connection diagram. The switch pedestal (5) is placed on the frame and the small screws (6) are tightened with a proper screwdriver.

2- The installation piece (2) is installed on the frame

(4). The transparent parts (3) are installed in the housings on the side of the frame.

3- The frame is run over the switch pedestal and pressed on the lugs on the installation piece to ensure that the frame is installed on the pedestal.

4- The pins in the inside of the button (1) are installed in the housing in the latch (7) to complete the installation.